

T-Bolts · DIN 787
EH 23030.



Product Description

T-bolts when combined with DIN 6330 fixture nuts (EH 23070.) and DIN 6340 plain washers (EH 23060.) become complete clamping bolts. These T-bolts are characterised by the rolled thread.

Material

- Heat-treated steel, black, forged, T-slot guidance milled

More information

Notes

Customized design on request.

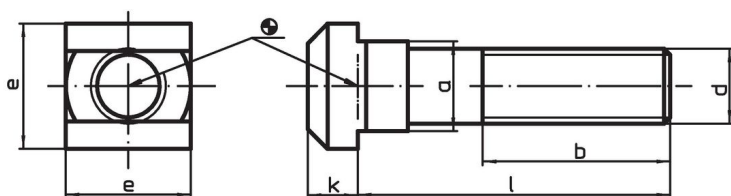
References

For torques and strengths please refer to appendix - Technical Data -


Further products

- Shaft / Plain Washers, DIN 6340 heat-treated
- Fixture Nuts, DIN 6330 (height 1,5 d)


Drawing



Order information

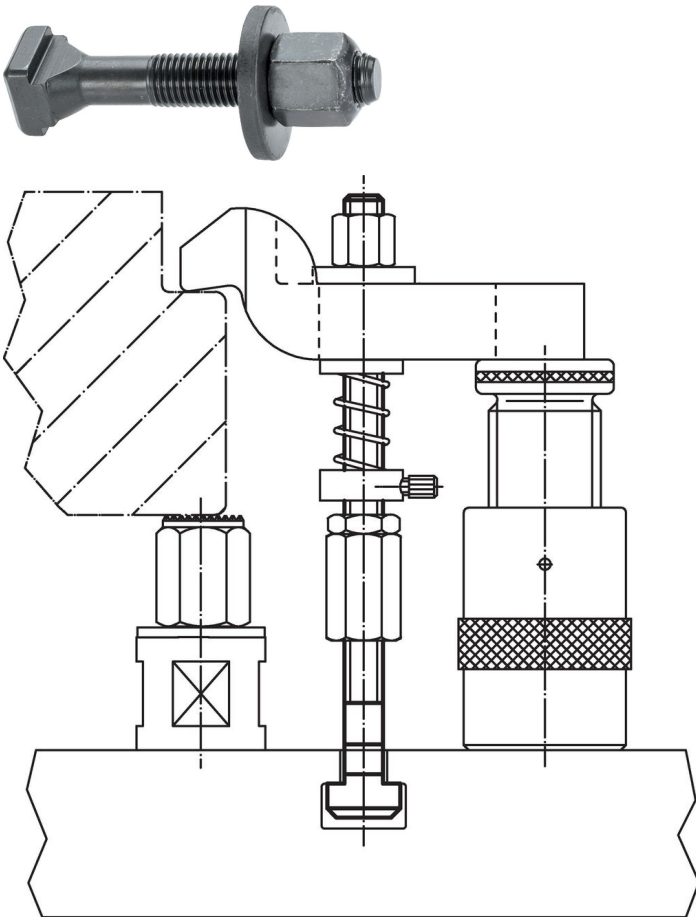
T-slot size [mm]	d	l	Dimensions a [mm]	b	e	k	 [g]	Art. No.
quality 10.9								
6	M 6	25	5.6	15	10	4	7.7	23030.0061
6	M 6	40	5.6	28	10	4	10.0	23030.0062
6	M 6	63	5.6	40	10	4	14.0	23030.0063
8	M 8	32	7.6	22	13	6	19.0	23030.0081
8	M 8	50	7.6	35	13	6	25.0	23030.0082
8	M 8	80	7.6	50	13	6	34.0	23030.0083
10	M10	40	9.6	30	15	6	33.0	23030.0101
10	M10	63	9.6	45	15	6	44.0	23030.0102
10	M10	100	9.6	60	15	6	61.0	23030.0103
12	M12	50	11.6	35	18	7	54.0	23030.0121
12	M12	63	11.6	40	18	7	66.0	23030.0125 ¹⁾
12	M12	80	11.6	55	18	7	79.0	23030.0122
12	M12	125	11.6	75	18	7	111.0	23030.0123
12	M12	160	11.6	100	18	7	136.0	23030.0126
12	M12	200	11.6	120	18	7	164.0	23030.0124
14	M12	50	13.6	35	22	8	76.0	23030.0141
14	M12	63	13.6	45	22	8	85.0	23030.0145 ¹⁾
14	M12	80	13.6	55	22	8	97.0	23030.0142
14	M12	125	13.6	75	22	8	129.0	23030.0143
14	M12	160	13.6	100	22	8	170.0	23030.0146
14	M12	200	13.6	120	22	8	182.0	23030.0144

¹⁾ DIN standards do not include these dimensions.

T-slot size [mm]	Dimensions						 [g]	Art. No.
	d	l	a [mm]	b	e	k		
quality 8.8								
16	M14	63	15.6	45	25	9	116.0	23030.0150 ¹⁾
16	M14	100	15.6	65	25	9	154.0	23030.0152 ¹⁾
16	M14	160	15.6	100	25	9	213.0	23030.0154 ¹⁾
16	M14	250	15.6	150	25	9	301.0	23030.0156 ¹⁾
16	M16	63	15.6	45	25	9	136.0	23030.0161 ¹⁾
16	M16	80	15.6	55	25	9	158.0	23030.0165 ¹⁾
16	M16	100	15.6	63	25	9	185.0	23030.0162 ¹⁾
16	M16	160	15.6	100	25	9	263.0	23030.0163 ¹⁾
16	M16	200	15.6	125	25	9	315.0	23030.0166 ¹⁾
16	M16	250	15.6	150	25	9	381.0	23030.0164 ¹⁾
18	M16	63	17.6	45	28	10	162.0	23030.0181
18	M16	80	17.6	55	28	10	178.0	23030.0185 ¹⁾
18	M16	100	17.6	63	28	10	210.0	23030.0182
18	M16	160	17.6	100	28	10	289.0	23030.0183
18	M16	200	17.6	125	28	10	335.0	23030.0186 ¹⁾
18	M16	250	17.6	150	28	10	406.0	23030.0184
20	M20	80	19.6	55	32	12	282.0	23030.0201 ¹⁾
20	M20	100	19.6	65	32	12	320.0	23030.0205 ¹⁾
20	M20	125	19.6	85	32	12	450.0	23030.0202 ¹⁾
20	M20	160	19.6	100	32	12	442.0	23030.0206 ¹⁾
20	M20	200	19.6	125	32	12	523.0	23030.0203 ¹⁾
20	M20	250	19.6	150	32	12	624.0	23030.0207 ¹⁾
20	M20	315	19.6	190	32	12	757.0	23030.0204 ¹⁾
22	M20	80	21.6	55	35	14	330.0	23030.0221
22	M20	100	21.6	65	35	14	371.0	23030.0225 ¹⁾
22	M20	125	21.6	85	35	14	422.0	23030.0222
22	M20	160	21.6	100	35	14	498.0	23030.0226 ¹⁾
22	M20	200	21.6	125	35	14	550.0	23030.0223
22	M20	250	21.6	150	35	14	678.0	23030.0227 ¹⁾
22	M20	315	21.6	190	35	14	800.0	23030.0224
28	M24	100	27.6	70	44	18	639.0	23030.0281
28	M24	125	27.6	85	44	18	713.0	23030.0285 ¹⁾
28	M24	160	27.6	110	44	18	808.0	23030.0282
28	M24	200	27.6	125	44	18	914.0	23030.0286 ¹⁾
28	M24	250	27.6	150	44	18	1068.0	23030.0283
28	M24	315	27.6	190	44	18	1275.0	23030.0287
28	M24	400	27.6	240	44	18	1497.0	23030.0284 ¹⁾
36	M30	125	35.5	80	54	22	1203.0	23030.0361
36	M30	200	35.5	135	54	22	1562.0	23030.0362
36	M30	315	35.5	200	54	22	2061.0	23030.0363
36	M30	500	35.5	300	54	22	4825.0	23030.0364
42	M36	160	42.0-0.4-0.7	100	65	26	2167.0	23030.0421
42	M36	250	41.5	175	65	26	2779.0	23030.0422
42	M36	400	41.5	250	65	26	7325.0	23030.0423
42	M36	600	41.5	340	65	26	5500.0	23030.0424 ¹⁾

¹⁾ DIN standards do not include these dimensions.

Application example



Compliance

RoHS compliant

Compliant according to Directive 2011/65/EU and Directive 2015/863.

Does not contain SVHC substances

No SVHC substances with more than 0.1% w/w contained - SVHC list [REACH] as of 27.06.2024.

Does not contain Proposition 65 substances

No Proposition 65 substances included.
<https://www.P65Warnings.ca.gov/>

Free from Conflict Minerals

This product does not contain any substances designated as "conflict minerals" such as tantalum, tin, gold or tungsten from the Democratic Republic of Congo or adjacent countries.