

## Support Legs EH 22593.



### Product Description

The support legs are universally usable as adjustable legs. The plate is screwed to the threaded pin and nut by a stainless steel fastening screw, and is also glued.

### Material

#### Grub Screw

- Steel, zinc-plated by galvanization, passivated
- Stainless steel 1.4305

#### Nut

- Steel, zinc-plated by galvanization, passivated
- Stainless steel 1.4305

#### Lock nut

- Steel, zinc-coated by galvanisation, passivated, ISO 4032
- Stainless Steel A2, ISO 4032

#### Pad

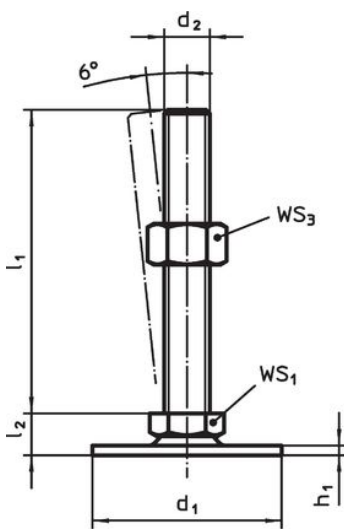
- Steel, zinc-plated by galvanization, passivated
- Stainless steel 1.4301, vibratory ground

### More information

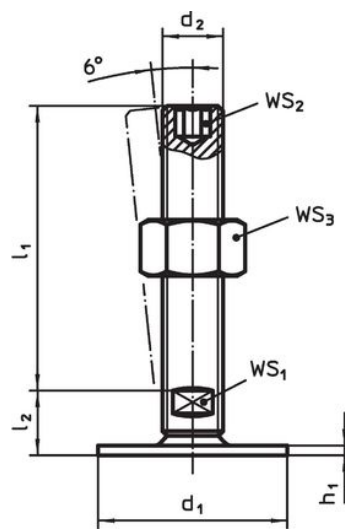
#### Further products

- Support Legs, protected against slipping

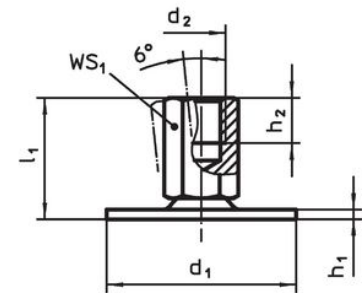
### Drawing



picture 1




picture 2





picture 3

### Order information

Dimensions						WS <sub>1</sub>	WS <sub>2</sub>	WS <sub>3</sub>	Art. No.	
d <sub>1</sub>	d <sub>2</sub>	l <sub>1</sub>	h <sub>1</sub>	h <sub>2</sub>	l <sub>2</sub>	[mm]	[mm]	[mm]		[g]
with screw – picture 1, Steel										
40	M 8	40	2.0	–	11	17	–	13	45	22593.0005
40	M 8	50	2.0	–	11	17	–	13	48	22593.0010
40	M 8	63	2.0	–	11	17	–	13	48	22593.0015
40	M10	50	2.0	–	11	17	–	16	62	22593.0020
40	M10	60	2.0	–	11	17	–	16	69	22593.0025
40	M10	80	2.0	–	11	17	–	16	76	22593.0030
40	M10	100	2.0	–	11	17	–	16	87	22593.0035
40	M12	60	2.0	–	11	17	–	18	85	22593.0040
40	M12	80	2.0	–	11	17	–	18	98	22593.0045
40	M12	100	2.0	–	11	17	–	18	113	22593.0050

d <sub>1</sub>	d <sub>2</sub>	Dimensions				WS <sub>1</sub>	WS <sub>2</sub>	WS <sub>3</sub>		Art. No.
		l <sub>1</sub>	h <sub>1</sub>	h <sub>2</sub>	l <sub>2</sub>					
		[mm]				[mm]	[mm]	[mm]	[g]	
40	M12	125	2.0	–	11	17	–	18	132	22593.0055
50	M 8	40	2.5	–	11	17	–	13	62	22593.0060
50	M 8	50	2.5	–	11	17	–	13	68	22593.0065
50	M 8	63	2.5	–	11	17	–	13	70	22593.0070
50	M10	50	2.5	–	11	17	–	16	80	22593.0075
50	M10	60	2.5	–	11	17	–	16	86	22593.0080
50	M10	80	2.5	–	11	17	–	16	95	22593.0085
50	M10	100	2.5	–	11	17	–	16	106	22593.0090
50	M12	60	2.5	–	11	17	–	18	102	22593.0095
50	M12	80	2.5	–	11	17	–	18	117	22593.0100
50	M12	100	2.5	–	11	17	–	18	132	22593.0105
50	M12	125	2.5	–	11	17	–	18	150	22593.0110
60	M 8	40	2.5	–	11	17	–	13	81	22593.0115
60	M 8	50	2.5	–	11	17	–	13	83	22593.0120
60	M 8	63	2.5	–	11	17	–	13	87	22593.0125
60	M10	50	2.5	–	11	17	–	16	97	22593.0130
60	M10	60	2.5	–	11	17	–	16	103	22593.0135
60	M10	80	2.5	–	11	17	–	16	111	22593.0140
60	M10	100	2.5	–	11	17	–	16	122	22593.0145
60	M12	60	2.5	–	11	17	–	18	120	22593.0150
60	M12	80	2.5	–	11	17	–	18	134	22593.0155
60	M12	100	2.5	–	11	17	–	18	150	22593.0160
60	M12	125	2.5	–	11	17	–	18	167	22593.0165
80	M 8	40	3.0	–	12	17	–	13	144	22593.0170
80	M 8	50	3.0	–	12	17	–	13	148	22593.0175
80	M 8	63	3.0	–	12	17	–	13	152	22593.0180
80	M10	50	3.0	–	12	17	–	16	163	22593.0185
80	M10	60	3.0	–	12	17	–	16	167	22593.0190
80	M10	80	3.0	–	12	17	–	16	176	22593.0195
80	M10	100	3.0	–	12	17	–	16	187	22593.0200
80	M12	60	3.0	–	12	17	–	18	186	22593.0205
80	M12	80	3.0	–	12	17	–	18	199	22593.0210
80	M12	100	3.0	–	12	17	–	18	218	22593.0215
80	M12	125	3.0	–	12	17	–	18	231	22593.0220
with screw – picture 2, Steel										
40	M16	75	2.0	–	17	12	8	24	154	22593.0605
40	M16	100	2.0	–	17	12	8	24	183	22593.0610
40	M16	125	2.0	–	17	12	8	24	217	22593.0615
40	M16	150	2.0	–	17	12	8	24	252	22593.0620
40	M16	200	2.0	–	17	12	8	24	315	22593.0625
50	M16	75	2.5	–	17	12	8	24	172	22593.0630
50	M16	100	2.5	–	17	12	8	24	205	22593.0635
50	M16	125	2.5	–	17	12	8	24	236	22593.0640
50	M16	150	2.5	–	17	12	8	24	270	22593.0645
50	M16	200	2.5	–	17	12	8	24	335	22593.0650
60	M16	75	2.5	–	17	12	8	24	187	22593.0655
60	M16	100	2.5	–	17	12	8	24	221	22593.0660
60	M16	125	2.5	–	17	12	8	24	252	22593.0665
60	M16	150	2.5	–	17	12	8	24	288	22593.0670
60	M16	200	2.5	–	17	12	8	24	352	22593.0675
80	M16	75	3.0	–	18	12	8	24	251	22593.0680
80	M16	100	3.0	–	18	12	8	24	285	22593.0685
80	M16	125	3.0	–	18	12	8	24	317	22593.0690
80	M16	150	3.0	–	18	12	8	24	349	22593.0695
80	M16	200	3.0	–	18	12	8	24	414	22593.0700
80	M20	75	3.0	–	19	15	10	30	340	22593.0705
80	M20	100	3.0	–	19	15	10	30	393	22593.0710
80	M20	125	3.0	–	19	15	10	30	441	22593.0715
80	M20	150	3.0	–	19	15	10	30	494	22593.0720
80	M20	200	3.0	–	19	15	10	30	600	22593.0725

d <sub>1</sub>	d <sub>2</sub>	Dimensions				WS <sub>1</sub>	WS <sub>2</sub>	WS <sub>3</sub>		Art. No.
		l <sub>1</sub>	h <sub>1</sub>	h <sub>2</sub>	l <sub>2</sub>					
		[mm]				[mm]	[mm]	[mm]	[g]	
80	M24	100	3.0	–	22	19	12	36	537	22593.0730
80	M24	125	3.0	–	22	19	12	36	610	22593.0735
80	M24	150	3.0	–	22	19	12	36	681	22593.0740
80	M24	200	3.0	–	22	19	12	36	829	22593.0745
<b>with female thread – picture 3, Steel</b>										
40	M 8	25	2.0	8	–	14	–	–	41	22593.1005
40	M10	28	2.0	10	–	14	–	–	40	22593.1010
40	M12	31	2.0	12	–	17	–	–	57	22593.1015
40	M16	37	2.0	16	–	22	–	–	93	22593.1020
50	M 8	25	2.5	8	–	14	–	–	59	22593.1025
50	M10	28	2.5	10	–	14	–	–	58	22593.1030
50	M12	32	2.5	12	–	17	–	–	76	22593.1035
50	M16	37	2.5	16	–	22	–	–	112	22593.1040
60	M 8	25	2.5	8	–	14	–	–	76	22593.1045
60	M10	28	2.5	10	–	14	–	–	77	22593.1050
60	M12	32	2.5	12	–	17	–	–	92	22593.1055
60	M16	37	2.5	16	–	22	–	–	127	22593.1060
80	M 8	26	3.0	8	–	14	–	–	140	22593.1065
80	M10	29	3.0	10	–	14	–	–	144	22593.1070
80	M12	32	3.0	12	–	17	–	–	160	22593.1075
80	M16	38	3.0	16	–	22	–	–	195	22593.1080
80	M20	45	3.0	20	–	27	–	–	256	22593.1085
<b>with screw – picture 1, Stainless steel</b>										
40	M 8	40	2.0	–	11	17	–	13	45	22593.1505
40	M 8	50	2.0	–	11	17	–	13	48	22593.1510
40	M 8	63	2.0	–	11	17	–	13	48	22593.1515
40	M10	50	2.0	–	11	17	–	16	62	22593.1520
40	M10	60	2.0	–	11	17	–	16	69	22593.1525
40	M10	80	2.0	–	11	17	–	16	76	22593.1530
40	M10	100	2.0	–	11	17	–	16	87	22593.1535
40	M12	60	2.0	–	11	17	–	18	85	22593.1540
40	M12	80	2.0	–	11	17	–	18	98	22593.1545
40	M12	100	2.0	–	11	17	–	18	113	22593.1550
40	M12	125	2.0	–	11	17	–	18	132	22593.1555
50	M 8	40	2.5	–	11	17	–	13	62	22593.1560
50	M 8	50	2.5	–	11	17	–	13	68	22593.1565
50	M 8	63	2.5	–	11	17	–	13	70	22593.1570
50	M10	50	2.5	–	11	17	–	16	80	22593.1575
50	M10	60	2.5	–	11	17	–	16	86	22593.1580
50	M10	80	2.5	–	11	17	–	16	95	22593.1585
50	M10	100	2.5	–	11	17	–	16	106	22593.1590
50	M12	60	2.5	–	11	17	–	18	102	22593.1595
50	M12	80	2.5	–	11	17	–	18	117	22593.1600
50	M12	100	2.5	–	11	17	–	18	132	22593.1605
50	M12	125	2.5	–	11	17	–	18	150	22593.1610
60	M 8	40	2.5	–	11	17	–	13	81	22593.1615
60	M 8	50	2.5	–	11	17	–	13	83	22593.1620
60	M 8	63	2.5	–	11	17	–	13	87	22593.1625
60	M10	50	2.5	–	11	17	–	16	97	22593.1630
60	M10	60	2.5	–	11	17	–	16	103	22593.1635
60	M10	80	2.5	–	11	17	–	16	111	22593.1640
60	M10	100	2.5	–	11	17	–	16	122	22593.1645
60	M12	60	2.5	–	11	17	–	18	120	22593.1650
60	M12	80	2.5	–	11	17	–	18	134	22593.1655
60	M12	100	2.5	–	11	17	–	18	150	22593.1660
60	M12	125	2.5	–	11	17	–	18	167	22593.1665
80	M 8	40	3.0	–	12	17	–	13	144	22593.1670
80	M 8	50	3.0	–	12	17	–	13	148	22593.1675
80	M 8	63	3.0	–	12	17	–	13	152	22593.1680
80	M10	50	3.0	–	12	17	–	16	163	22593.1685
80	M10	60	3.0	–	12	17	–	16	167	22593.1690
80	M10	80	3.0	–	12	17	–	16	176	22593.1695

d <sub>1</sub>	d <sub>2</sub>	Dimensions				WS <sub>1</sub>	WS <sub>2</sub>	WS <sub>3</sub>		Art. No.
		l <sub>1</sub>	h <sub>1</sub>	h <sub>2</sub>	l <sub>2</sub>					
		[mm]				[mm]	[mm]	[mm]	[g]	
80	M10	100	3.0	–	12	17	–	16	187	<a href="#">22593.1700</a>
80	M12	60	3.0	–	12	17	–	18	186	<a href="#">22593.1705</a>
80	M12	80	3.0	–	12	17	–	18	199	<a href="#">22593.1710</a>
80	M12	100	3.0	–	12	17	–	18	218	<a href="#">22593.1715</a>
80	M12	125	3.0	–	12	17	–	18	231	<a href="#">22593.1720</a>
<b>with screw – picture 2, Stainless steel</b>										
40	M16	75	2.0	–	17	12	8	24	154	<a href="#">22593.2105</a>
40	M16	100	2.0	–	17	12	8	24	183	<a href="#">22593.2110</a>
40	M16	125	2.0	–	17	12	8	24	217	<a href="#">22593.2115</a>
40	M16	150	2.0	–	17	12	8	24	252	<a href="#">22593.2120</a>
40	M16	200	2.0	–	17	12	8	24	315	<a href="#">22593.2125</a>
50	M16	75	2.5	–	17	12	8	24	172	<a href="#">22593.2130</a>
50	M16	100	2.5	–	17	12	8	24	205	<a href="#">22593.2135</a>
50	M16	125	2.5	–	17	12	8	24	236	<a href="#">22593.2140</a>
50	M16	150	2.5	–	17	12	8	24	270	<a href="#">22593.2145</a>
50	M16	200	2.5	–	17	12	8	24	335	<a href="#">22593.2150</a>
60	M16	75	2.5	–	17	12	8	24	187	<a href="#">22593.2155</a>
60	M16	100	2.5	–	17	12	8	24	221	<a href="#">22593.2160</a>
60	M16	125	2.5	–	17	12	8	24	252	<a href="#">22593.2165</a>
60	M16	150	2.5	–	17	12	8	24	288	<a href="#">22593.2170</a>
60	M16	200	2.5	–	17	12	8	24	352	<a href="#">22593.2175</a>
80	M16	75	3.0	–	18	12	8	24	251	<a href="#">22593.2180</a>
80	M16	100	3.0	–	18	12	8	24	285	<a href="#">22593.2185</a>
80	M16	125	3.0	–	18	12	8	24	317	<a href="#">22593.2190</a>
80	M16	150	3.0	–	18	12	8	24	349	<a href="#">22593.2195</a>
80	M16	200	3.0	–	18	12	8	24	414	<a href="#">22593.2200</a>
80	M20	75	3.0	–	19	15	10	30	340	<a href="#">22593.2205</a>
80	M20	100	3.0	–	19	15	10	30	393	<a href="#">22593.2210</a>
80	M20	125	3.0	–	19	15	10	30	441	<a href="#">22593.2215</a>
80	M20	150	3.0	–	19	15	10	30	494	<a href="#">22593.2220</a>
80	M20	200	3.0	–	19	15	10	30	600	<a href="#">22593.2225</a>
80	M24	100	3.0	–	22	19	12	36	537	<a href="#">22593.2230</a>
80	M24	125	3.0	–	22	19	12	36	610	<a href="#">22593.2235</a>
80	M24	150	3.0	–	22	19	12	36	681	<a href="#">22593.2240</a>
80	M24	200	3.0	–	22	19	12	36	829	<a href="#">22593.2245</a>
<b>with female thread – picture 3, Stainless steel</b>										
40	M 8	25	2.0	8	–	14	–	–	41	<a href="#">22593.2505</a>
40	M10	28	2.0	10	–	14	–	–	40	<a href="#">22593.2510</a>
40	M12	31	2.0	12	–	17	–	–	57	<a href="#">22593.2515</a>
40	M16	37	2.0	16	–	22	–	–	93	<a href="#">22593.2520</a>
50	M 8	25	2.5	8	–	14	–	–	59	<a href="#">22593.2525</a>
50	M10	28	2.5	10	–	14	–	–	58	<a href="#">22593.2530</a>
50	M12	32	2.5	12	–	17	–	–	76	<a href="#">22593.2535</a>
50	M16	37	2.5	16	–	22	–	–	112	<a href="#">22593.2540</a>
60	M 8	25	2.5	8	–	14	–	–	76	<a href="#">22593.2545</a>
60	M10	28	2.5	10	–	14	–	–	77	<a href="#">22593.2550</a>
60	M12	32	2.5	12	–	17	–	–	92	<a href="#">22593.2555</a>
60	M16	37	2.5	16	–	22	–	–	127	<a href="#">22593.2560</a>
80	M 8	26	3.0	8	–	14	–	–	140	<a href="#">22593.2565</a>
80	M10	29	3.0	10	–	14	–	–	144	<a href="#">22593.2570</a>
80	M12	32	3.0	12	–	17	–	–	160	<a href="#">22593.2575</a>
80	M16	38	3.0	16	–	22	–	–	195	<a href="#">22593.2580</a>
80	M20	45	3.0	20	–	27	–	–	256	<a href="#">22593.2585</a>

## Compliance

For detailed compliance information please select the desired article number.