

## Grub Screws • ball-headed EH 22570.



### Product Description

The ball-headed grub screws (EH 22570.) can be combined with plastic thrust pads (EH 22570.).

### Material

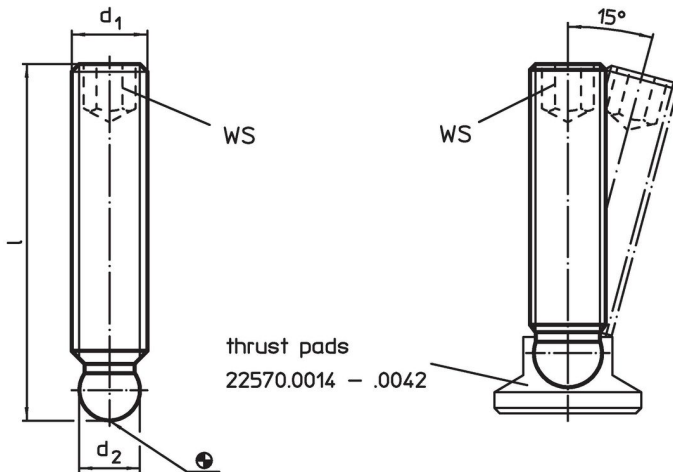
- Free cutting steel, quality 5.8, blackened
- Stainless steel 1.4305

### More information


### Further products


- Thrust Pads, plastic

### Drawing

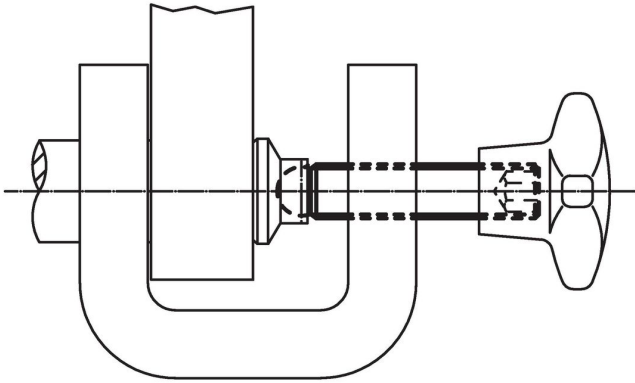


### Order information

d <sub>1</sub>	Dimensions l [mm]	d <sub>2</sub> +0.05	WS [mm]	 [g]	Art. No.
<b>Free cutting steel</b>					
M 6	30	4.5	3	5.1	<a href="#">22570.0210</a>
M 6	40	4.5	3	5.9	<a href="#">22570.0214</a>
M 6	50	4.5	3	7.6	<a href="#">22570.0218</a>
M 8	25	6.1	4	5.8	<a href="#">22570.0219</a>
M 8	40	6.1	4	11.0	<a href="#">22570.0220</a>
M 8	50	6.1	4	14.0	<a href="#">22570.0224</a>
M 8	63	6.1	4	18.0	<a href="#">22570.0228</a>
M10	40	7.8	5	16.0	<a href="#">22570.0248</a>
M10	50	7.8	5	21.0	<a href="#">22570.0250</a>
M10	63	7.8	5	27.0	<a href="#">22570.0254</a>
M10	80	7.8	5	36.0	<a href="#">22570.0258</a>
M12	40	9.4	6	23.0	<a href="#">22570.0316</a>
M12	63	9.4	6	39.0	<a href="#">22570.0320</a>
M12	80	9.4	6	51.0	<a href="#">22570.0324</a>
M12	100	9.4	6	65.0	<a href="#">22570.0328</a>
<b>Stainless steel</b>					
M 6	30	4.5	3	5.1	<a href="#">22570.0410</a>
M 6	40	4.5	3	5.9	<a href="#">22570.0414</a>
M 6	50	4.5	3	7.6	<a href="#">22570.0418</a>
M 8	25	6.1	4	5.8	<a href="#">22570.0419</a>
M 8	40	6.1	4	11.0	<a href="#">22570.0420</a>
M 8	50	6.1	4	14.0	<a href="#">22570.0424</a>
M 8	63	6.1	4	18.0	<a href="#">22570.0428</a>
M10	40	7.8	5	16.0	<a href="#">22570.0448</a>
M10	50	7.8	5	21.0	<a href="#">22570.0450</a>
M10	63	7.8	5	27.0	<a href="#">22570.0454</a>

d <sub>1</sub>	Dimensions		WS		Art. No.
	l	d <sub>2</sub> +0.05			
	[mm]		[mm]	[g]	
M10	80	7.8	5	36.0	<a href="#">22570.0458</a>
M12	40	9.4	6	23.0	<a href="#">22570.0516</a>
M12	63	9.4	6	39.0	<a href="#">22570.0520</a>
M12	80	9.4	6	51.0	<a href="#">22570.0524</a>
M12	100	9.4	6	65.0	<a href="#">22570.0528</a>

### Application example



### Compliance

For detailed compliance information please select the desired article number.