

Locating Bushings with Seal, plain • for lifting pins

EH 22350.



Product Description

The seal prevents the penetration of liquid and dirt. The bushing is therefore especially suitable for use in the open air.

Locating bushings are used for quick and safe locating of lifting pins EH 22350 / EH 22351.

This design is suitable for applications which require installation flush to the surface.

A face wrench is required for installation. As an accessory, we offer a standard adjustable face wrench, offset, and a face and socket wrench. In combination with a socket-wrench/screwdriver, the face and socket wrench is especially suitable for use if space is restricted.

Corrosion and abrasion resistant.

Material

Bushing

- Stainless steel 1.4542, precipitation-hardened

O-ring

- NBR

Spring

- Stainless steel

Assembly

Safe tolerances and consistent function.

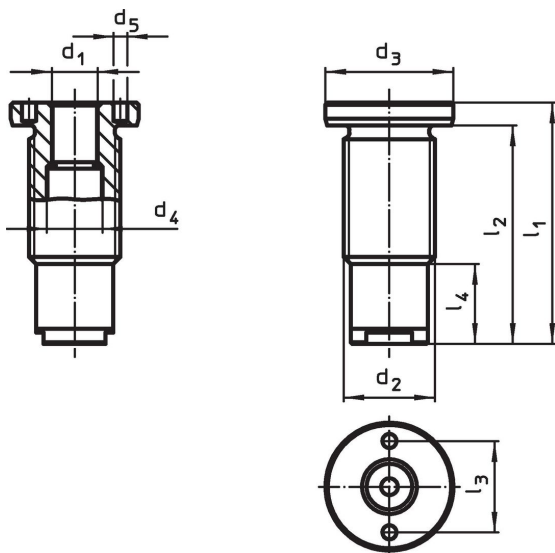
Easily incorporated into different materials

Bush can be easily installed via optional assembly tool.

Can be mounted in blind holes.

For thin-walled parts, lock nuts are used for assembly.




Drawing



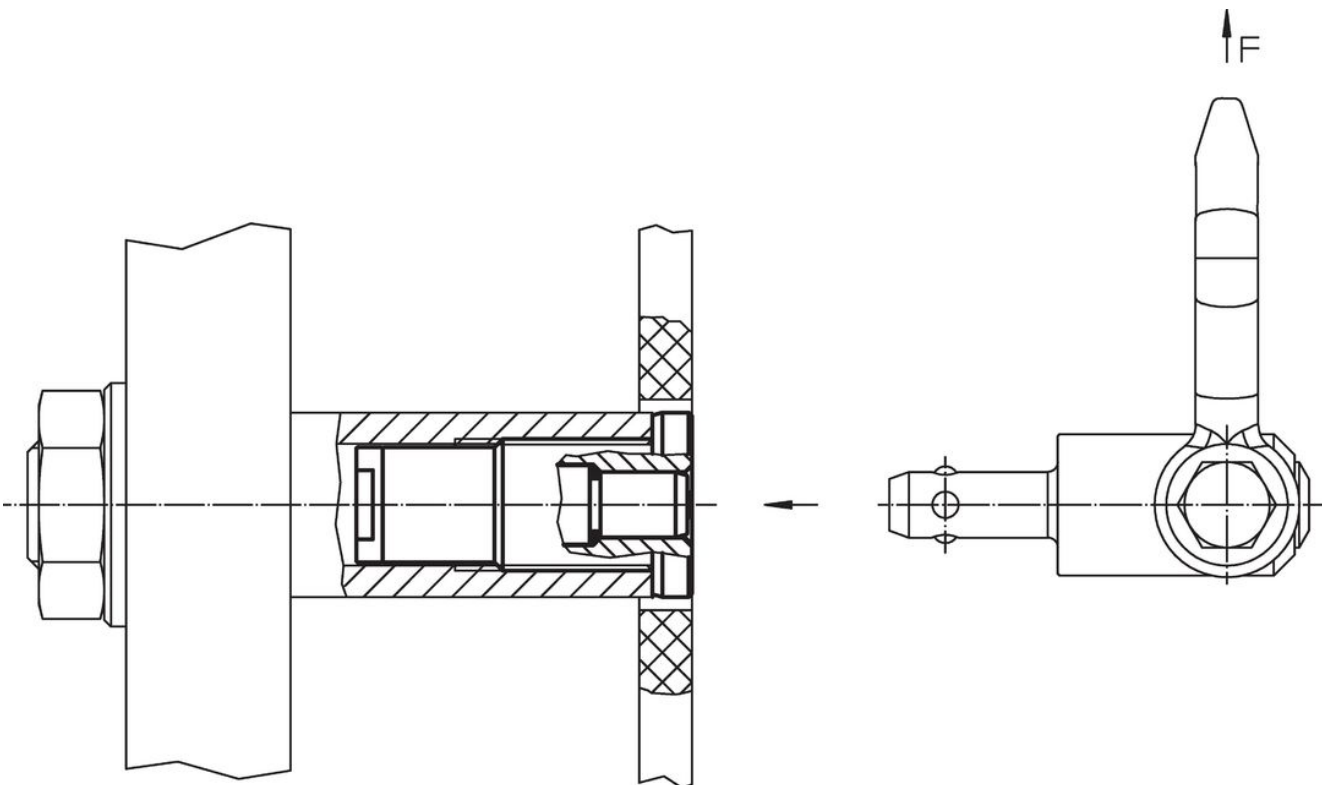
Order information

Dimensions		For nominal length	Dimensions							Tightening torque max.	x	Load capacity			For lifting pin	Art. No.	
d ₁	d ₂		d ₃	d ₄	d ₅	l ₁	l ₂	l ₃	l ₄			F ₁	F ₂	F ₃			
H11	[mm]	[mm]	-0.2	+0.3	+0.1	[mm]				[Nm]	[mm]	[kN]			[g]		
8	M16 x 1,5	10	24	9.9	3.1	37.5	32.5	16	12.5	75	1.5	1.5	1.2	0.5	22350.0601 / .0701	47	22350.1960
10	M20 x 1,5	15	28	12.3	5.1	51.0	45.0	20	21.0	100	1.5	2.7	2.4	2.1	22350.0621 / .0721	92	22350.1961
12	M24 x 1,5	15	32	14.4	5.1	53.0	47.0	22	21.0	150	1.5	3.5	3.2	2.8	22350.0631 / .0731	125	22350.1962
16	M30 x 2	25	39	19.3	5.1	78.0	72.0	30	33.0	200	1.5	4.8	4.5	4.1	22350.0641 / .0741	253	22350.1963

Accessories

	Suitable for size d_1 [mm]	Pin spacing ± 0.1 [mm]	Pin diameter -0.1 [mm]	Square drive [in]	 [g]	Art. No.
adjustable face wrench, offset						
	8	-	3		121	22350.1990
	10/12/16/20/25	-	5		309	22350.1991
face wrench (socket wrench insert)						
	8	16	3	1/2	116	22350.1995
	10	20	5	1/2	136	22350.1996
	12	22	5	1/2	185	22350.1997
	16/20	30	5	1/2	243	22350.1998

Application example



Compliance

For detailed compliance information please select the desired article number.