

## Ball Lock Pins • self-locking, with button handle

EH 22340. /EH 22350.



### Product Description

For quick fastening, locking, adjusting, changing and securing. Quickly and easily unlockable for frequently repeated connections.

All versions are corrosion resistant. When using stainless steel 1.4542: high-strength, hardened, abrasion resistant pin with high load capacity.

Compact design with button handle.

### Material

#### Pin part

- Stainless steel 1.4305
- Stainless steel 1.4542, precipitation-hardened

#### Handle

- Aluminium, black similar to RAL 9005

#### Press button

- Stainless steel, black

#### Spring

- Stainless steel

### Operation

The balls are unlocked by pressing the button.

### Characteristic

Types from stainless steel 1.4542 with marking below the balls.

### More information

### Notes

Customized design on request.

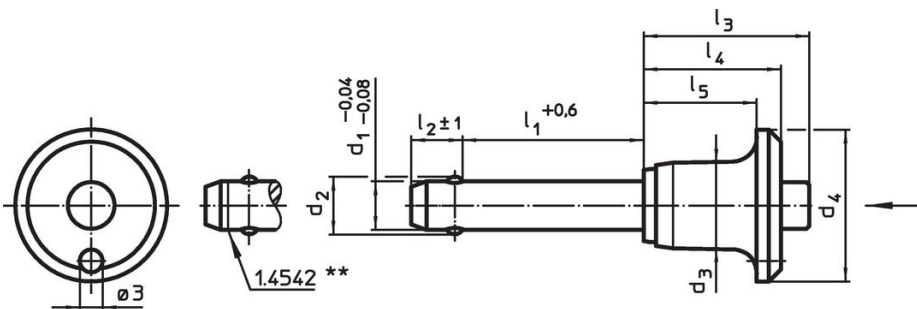
### Accessories

Can easily be fitted with retaining cable EH 22400.

### Further products

- Locating Bushings, for ball lock pins and socket pins
- Locating Bushings, with flange, for ball lock pins and socket pins
- Retaining Cables
- Positioning Bushings, with collar, DIN 172 A
- Positioning Bushings, without collar, DIN 179 A
- Ball Lock Pins with Button Handle, single acting - comply with NAS / MS17984

### Drawing





\*\* Types from stainless steel 1.4542 with marking.



### Order information

Dimensions									Location hole H11	Temperature		Weight	Shearing resistance, two-shear <sup>1)</sup> min.	Art. No.
$d_1$	$l_1$	$d_2$	$d_3$	$d_4$	$l_2$ $\pm 1$	$l_3$	$l_4$	$l_5$	[mm]	min.	max.	[g]	[kN]	
[mm]									[mm]	[°C]				
<b>Stainless steel 1.4305</b>														
5	10	5.5	11.3	20	6.0	20.7	17.6	14.6	5	-30	150	12	14	22340.0212
5	15	5.5	11.3	20	6.0	20.7	17.6	14.6	5	-30	150	12	14	22340.0213
5	20	5.5	11.3	20	6.0	20.7	17.6	14.6	5	-30	150	13	14	22340.0214
5	25	5.5	11.3	20	6.0	20.7	17.6	14.6	5	-30	150	14	14	22340.0215
5	30	5.5	11.3	20	6.0	20.7	17.6	14.6	5	-30	150	15	14	22340.0216
5	35	5.5	11.3	20	6.0	20.7	17.6	14.6	5	-30	150	15	14	22340.0217



<sup>1)</sup> Shearing resistance similar to DIN 50141

d <sub>1</sub> -0.04 -0.08	l <sub>1</sub> +0.6	Dimensions							Location hole H11  [mm]	 min.      max. [°C]		 [g]	Shearing resistance, two-shear <sup>1)</sup> min. [kN]	Art. No.
		d <sub>2</sub>	d <sub>3</sub>	d <sub>4</sub>	l <sub>2</sub> ±1	l <sub>3</sub>	l <sub>4</sub>	l <sub>5</sub>						
		[mm]												
5	40	5.5	11.3	20	6.0	20.7	17.6	14.6	5	-30	150	16	14	22340.0218
5	45	5.5	11.3	20	6.0	20.7	17.6	14.6	5	-30	150	17	14	22340.0311
5	50	5.5	11.3	20	6.0	20.7	17.6	14.6	5	-30	150	18	14	22340.0312
5	60	5.5	11.3	20	6.0	20.7	17.6	14.6	5	-30	150	19	14	22340.0209
5	70	5.5	11.3	20	6.0	20.7	17.6	14.6	5	-30	150	20	14	22340.0210
5	80	5.5	11.3	20	6.0	20.7	17.6	14.6	5	-30	150	22	14	22340.0211
6	10	7.0	11.3	20	7.0	20.7	17.6	14.6	6	-30	150	13	21	22340.0222
6	15	7.0	11.3	20	7.0	20.7	17.6	14.6	6	-30	150	14	21	22340.0223
6	20	7.0	11.3	20	7.0	20.7	17.6	14.6	6	-30	150	15	21	22340.0224
6	25	7.0	11.3	20	7.0	20.7	17.6	14.6	6	-30	150	16	21	22340.0225
6	30	7.0	11.3	20	7.0	20.7	17.6	14.6	6	-30	150	17	21	22340.0226
6	35	7.0	11.3	20	7.0	20.7	17.6	14.6	6	-30	150	18	21	22340.0227
6	40	7.0	11.3	20	7.0	20.7	17.6	14.6	6	-30	150	19	21	22340.0228
6	45	7.0	11.3	20	7.0	20.7	17.6	14.6	6	-30	150	20	21	22340.0229
6	50	7.0	11.3	20	7.0	20.7	17.6	14.6	6	-30	150	21	21	22340.0230
6	60	7.0	11.3	20	7.0	20.7	17.6	14.6	6	-30	150	23	21	22340.0219
6	70	7.0	11.3	20	7.0	20.7	17.6	14.6	6	-30	150	25	21	22340.0220
6	80	7.0	11.3	20	7.0	20.7	17.6	14.6	6	-30	150	27	21	22340.0221
8	10	9.5	14.1	25	8.2	27.3	22.6	18.6	8	-30	150	25	38	22340.0232
8	15	9.5	14.1	25	8.2	27.3	22.6	18.6	8	-30	150	27	38	22340.0233
8	20	9.5	14.1	25	8.2	27.3	22.6	18.6	8	-30	150	29	38	22340.0234
8	25	9.5	14.1	25	8.2	27.3	22.6	18.6	8	-30	150	31	38	22340.0235
8	30	9.5	14.1	25	8.2	27.3	22.6	18.6	8	-30	150	33	38	22340.0236
8	35	9.5	14.1	25	8.2	27.3	22.6	18.6	8	-30	150	35	38	22340.0237
8	40	9.5	14.1	25	8.2	27.3	22.6	18.6	8	-30	150	36	38	22340.0238
8	45	9.5	14.1	25	8.2	27.3	22.6	18.6	8	-30	150	38	38	22340.0239
8	50	9.5	14.1	25	8.2	27.3	22.6	18.6	8	-30	150	40	38	22340.0240
8	60	9.5	14.1	25	8.2	27.3	22.6	18.6	8	-30	150	44	38	22340.0231
8	70	9.5	14.1	25	8.2	27.3	22.6	18.6	8	-30	150	47	38	22340.0241
8	80	9.5	14.1	25	8.2	27.3	22.6	18.6	8	-30	150	51	38	22340.0242
8	90	9.5	14.1	25	8.2	27.3	22.6	18.6	8	-30	150	55	38	22340.0243
8	100	9.5	14.1	25	8.2	27.3	22.6	18.6	8	-30	150	58	38	22340.0251
10	15	12.0	14.1	25	9.6	27.3	22.6	18.6	10	-30	150	33	60	22340.0259
10	20	12.0	14.1	25	9.6	27.3	22.6	18.6	10	-30	150	36	60	22340.0244
10	25	12.0	14.1	25	9.6	27.3	22.6	18.6	10	-30	150	38	60	22340.0245
10	30	12.0	14.1	25	9.6	27.3	22.6	18.6	10	-30	150	42	60	22340.0246
10	35	12.0	14.1	25	9.6	27.3	22.6	18.6	10	-30	150	44	60	22340.0247
10	40	12.0	14.1	25	9.6	27.3	22.6	18.6	10	-30	150	47	60	22340.0248
10	45	12.0	14.1	25	9.6	27.3	22.6	18.6	10	-30	150	50	60	22340.0249
10	50	12.0	14.1	25	9.6	27.3	22.6	18.6	10	-30	150	53	60	22340.0250
10	60	12.0	14.1	25	9.6	27.3	22.6	18.6	10	-30	150	59	60	22340.0252
10	70	12.0	14.1	25	9.6	27.3	22.6	18.6	10	-30	150	65	60	22340.0253
10	80	12.0	14.1	25	9.6	27.3	22.6	18.6	10	-30	150	71	60	22340.0254
10	90	12.0	14.1	25	9.6	27.3	22.6	18.6	10	-30	150	77	60	22340.0255
10	100	12.0	14.1	25	9.6	27.3	22.6	18.6	10	-30	150	83	60	22340.0256
10	110	12.0	14.1	25	9.6	27.3	22.6	18.6	10	-30	150	88	60	22340.0257
10	120	12.0	14.1	25	9.6	27.3	22.6	18.6	10	-30	150	94	60	22340.0258
12	20	14.5	17.7	35	10.6	33.2	27.3	22.3	12	-30	150	66	87	22340.0264
12	25	14.5	17.7	35	10.6	33.2	27.3	22.3	12	-30	150	70	87	22340.0265
12	30	14.5	17.7	35	10.6	33.2	27.3	22.3	12	-30	150	75	87	22340.0266
12	35	14.5	17.7	35	10.6	33.2	27.3	22.3	12	-30	150	79	87	22340.0267
12	40	14.5	17.7	35	10.6	33.2	27.3	22.3	12	-30	150	83	87	22340.0268
12	45	14.5	17.7	35	10.6	33.2	27.3	22.3	12	-30	150	88	87	22340.0269
12	50	14.5	17.7	35	10.6	33.2	27.3	22.3	12	-30	150	92	87	22340.0270
12	60	14.5	17.7	35	10.6	33.2	27.3	22.3	12	-30	150	100	87	22340.0272
12	70	14.5	17.7	35	10.6	33.2	27.3	22.3	12	-30	150	109	87	22340.0274
12	80	14.5	17.7	35	10.6	33.2	27.3	22.3	12	-30	150	117	87	22340.0276
12	90	14.5	17.7	35	10.6	33.2	27.3	22.3	12	-30	150	126	87	22340.0260
12	100	14.5	17.7	35	10.6	33.2	27.3	22.3	12	-30	150	134	87	22340.0261



<sup>1)</sup> Shearing resistance similar to DIN 50141

d <sub>1</sub> -0.04 -0.08	l <sub>1</sub> +0.6	Dimensions							Location hole H11  [mm]	 min. max. [°C]		 [g]	Shearing resistance, two-shear <sup>1)</sup> min. [kN]	Art. No.
		d <sub>2</sub>	d <sub>3</sub>	d <sub>4</sub>	l <sub>2</sub> ±1	l <sub>3</sub>	l <sub>4</sub>	l <sub>5</sub>						
		[mm]												
12	110	14.5	17.7	35	10.6	33.2	27.3	22.3	12	-30	150	143	87	22340.0262
12	120	14.5	17.7	35	10.6	33.2	27.3	22.3	12	-30	150	151	87	22340.0263
16	30	19.0	23.4	40	14.0	42.2	34.5	28.5	16	-30	150	151	155	22340.0271
16	35	19.0	23.4	40	14.0	42.2	34.5	28.5	16	-30	150	156	155	22340.0273
16	40	19.0	23.4	40	14.0	42.2	34.5	28.5	16	-30	150	163	155	22340.0275
16	45	19.0	23.4	40	14.0	42.2	34.5	28.5	16	-30	150	171	155	22340.0277
16	50	19.0	23.4	40	14.0	42.2	34.5	28.5	16	-30	150	182	155	22340.0278
16	60	19.0	23.4	40	14.0	42.2	34.5	28.5	16	-30	150	197	155	22340.0279
16	70	19.0	23.4	40	14.0	42.2	34.5	28.5	16	-30	150	213	155	22340.0280
16	80	19.0	23.4	40	14.0	42.2	34.5	28.5	16	-30	150	224	155	22340.0281
16	90	19.0	23.4	40	14.0	42.2	34.5	28.5	16	-30	150	244	155	22340.0282
16	100	19.0	23.4	40	14.0	42.2	34.5	28.5	16	-30	150	255	155	22340.0283
16	110	19.0	23.4	40	14.0	42.2	34.5	28.5	16	-30	150	270	155	22340.0284
16	120	19.0	23.4	40	14.0	42.2	34.5	28.5	16	-30	150	291	155	22340.0285
16	130	19.0	23.4	40	14.0	42.2	34.5	28.5	16	-30	150	301	155	22340.0286
16	140	19.0	23.4	40	14.0	42.2	34.5	28.5	16	-30	150	317	155	22340.0287
16	150	19.0	23.4	40	14.0	42.2	34.5	28.5	16	-30	150	337	155	22340.0288
20	50	24.8	23.4	40	17.0	43.1	34.5	28.5	20	-30	150	244	244	22340.0289
20	60	24.8	23.4	40	17.0	43.1	34.5	28.5	20	-30	150	265	244	22340.0290
20	70	24.8	23.4	40	17.0	43.1	34.5	28.5	20	-30	150	291	244	22340.0291
20	80	24.8	23.4	40	17.0	43.1	34.5	28.5	20	-30	150	316	244	22340.0292
20	90	24.8	23.4	40	17.0	43.1	34.5	28.5	20	-30	150	335	244	22340.0293
20	100	24.8	23.4	40	17.0	43.1	34.5	28.5	20	-30	150	363	244	22340.0294
20	110	24.8	23.4	40	17.0	43.1	34.5	28.5	20	-30	150	384	244	22340.0295
20	120	24.8	23.4	40	17.0	43.1	34.5	28.5	20	-30	150	413	244	22340.0296
20	130	24.8	23.4	40	17.0	43.1	34.5	28.5	20	-30	150	432	244	22340.0297
20	140	24.8	23.4	40	17.0	43.1	34.5	28.5	20	-30	150	455	244	22340.0298
20	150	24.8	23.4	40	17.0	43.1	34.5	28.5	20	-30	150	479	244	22340.0299
25	50	31.0	30.4	50	22.0	54.8	43.5	36.5	25	-30	150	441	386	22340.0300
25	60	31.0	30.4	50	22.0	54.8	43.5	36.5	25	-30	150	473	386	22340.0301
25	70	31.0	30.4	50	22.0	54.8	43.5	36.5	25	-30	150	517	386	22340.0302
25	80	31.0	30.4	50	22.0	54.8	43.5	36.5	25	-30	150	555	386	22340.0303
25	90	31.0	30.4	50	22.0	54.8	43.5	36.5	25	-30	150	585	386	22340.0304
25	100	31.0	30.4	50	22.0	54.8	43.5	36.5	25	-30	150	623	386	22340.0305
25	110	31.0	30.4	50	22.0	54.8	43.5	36.5	25	-30	150	658	386	22340.0306
25	120	31.0	30.4	50	22.0	54.8	43.5	36.5	25	-30	150	698	386	22340.0307
25	130	31.0	30.4	50	22.0	54.8	43.5	36.5	25	-30	150	742	386	22340.0308
25	140	31.0	30.4	50	22.0	54.8	43.5	36.5	25	-30	150	773	386	22340.0309
25	150	31.0	30.4	50	22.0	54.8	43.5	36.5	25	-30	150	822	386	22340.0310
<b>Stainless steel 1.4542, precipitation-hardened</b>														
5	10	5.5	11.3	20	6.0	20.7	17.6	14.6	5	-30	150	12	24	22350.0212
5	15	5.5	11.3	20	6.0	20.7	17.6	14.6	5	-30	150	12	24	22350.0213
5	20	5.5	11.3	20	6.0	20.7	17.6	14.6	5	-30	150	13	24	22350.0214
5	25	5.5	11.3	20	6.0	20.7	17.6	14.6	5	-30	150	14	24	22350.0215
5	30	5.5	11.3	20	6.0	20.7	17.6	14.6	5	-30	150	15	24	22350.0216
5	35	5.5	11.3	20	6.0	20.7	17.6	14.6	5	-30	150	15	24	22350.0217
5	40	5.5	11.3	20	6.0	20.7	17.6	14.6	5	-30	150	16	24	22350.0218
5	45	5.5	11.3	20	6.0	20.7	17.6	14.6	5	-30	150	17	24	22350.0311
5	50	5.5	11.3	20	6.0	20.7	17.6	14.6	5	-30	150	18	24	22350.0312
5	60	5.5	11.3	20	6.0	20.7	17.6	14.6	5	-30	150	19	24	22350.0209
5	70	5.5	11.3	20	6.0	20.7	17.6	14.6	5	-30	150	20	24	22350.0210
5	80	5.5	11.3	20	6.0	20.7	17.6	14.6	5	-30	150	22	24	22350.0211
6	10	7.0	11.3	20	7.0	20.7	17.6	14.6	6	-30	150	13	35	22350.0222
6	15	7.0	11.3	20	7.0	20.7	17.6	14.6	6	-30	150	14	35	22350.0223
6	20	7.0	11.3	20	7.0	20.7	17.6	14.6	6	-30	150	15	35	22350.0224
6	25	7.0	11.3	20	7.0	20.7	17.6	14.6	6	-30	150	16	35	22350.0225
6	30	7.0	11.3	20	7.0	20.7	17.6	14.6	6	-30	150	17	35	22350.0226
6	35	7.0	11.3	20	7.0	20.7	17.6	14.6	6	-30	150	18	35	22350.0227

<sup>1)</sup> Shearing resistance similar to DIN 50141

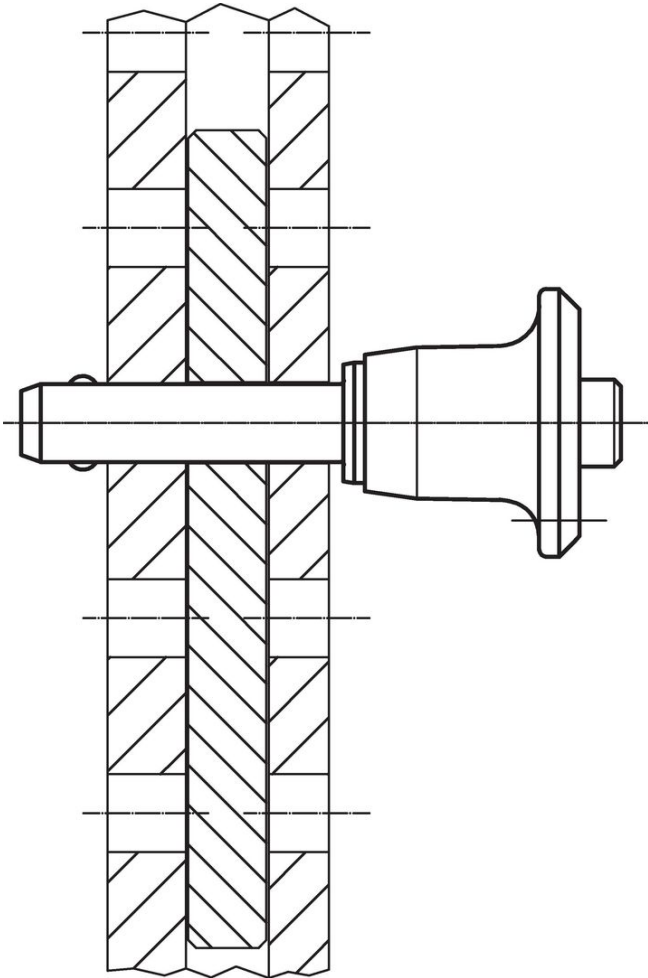
d <sub>1</sub> -0.04 -0.08	l <sub>1</sub> +0.6	Dimensions							Location hole H11	 min. max.		 [g]	Shearing resistance, two-shear <sup>1)</sup> min. [kN]	Art. No.
		d <sub>2</sub>	d <sub>3</sub>	d <sub>4</sub>	l <sub>2</sub> ±1	l <sub>3</sub>	l <sub>4</sub>	l <sub>5</sub>		[mm]	[°C]			
		[mm]								[mm]	[°C]			
6	40	7.0	11.3	20	7.0	20.7	17.6	14.6	6	-30	150	19	35	22350.0228
6	45	7.0	11.3	20	7.0	20.7	17.6	14.6	6	-30	150	20	35	22350.0229
6	50	7.0	11.3	20	7.0	20.7	17.6	14.6	6	-30	150	21	35	22350.0230
6	60	7.0	11.3	20	7.0	20.7	17.6	14.6	6	-30	150	23	35	22350.0219
6	70	7.0	11.3	20	7.0	20.7	17.6	14.6	6	-30	150	25	35	22350.0220
6	80	7.0	11.3	20	7.0	20.7	17.6	14.6	6	-30	150	27	35	22350.0221
8	10	9.5	14.1	25	8.2	27.3	22.6	18.6	8	-30	150	25	63	22350.0232
8	15	9.5	14.1	25	8.2	27.3	22.6	18.6	8	-30	150	27	63	22350.0233
8	20	9.5	14.1	25	8.2	27.3	22.6	18.6	8	-30	150	29	63	22350.0234
8	25	9.5	14.1	25	8.2	27.3	22.6	18.6	8	-30	150	31	63	22350.0235
8	30	9.5	14.1	25	8.2	27.3	22.6	18.6	8	-30	150	33	63	22350.0236
8	35	9.5	14.1	25	8.2	27.3	22.6	18.6	8	-30	150	35	63	22350.0237
8	40	9.5	14.1	25	8.2	27.3	22.6	18.6	8	-30	150	36	63	22350.0238
8	45	9.5	14.1	25	8.2	27.3	22.6	18.6	8	-30	150	38	63	22350.0239
8	50	9.5	14.1	25	8.2	27.3	22.6	18.6	8	-30	150	40	63	22350.0240
8	60	9.5	14.1	25	8.2	27.3	22.6	18.6	8	-30	150	44	63	22350.0231
8	70	9.5	14.1	25	8.2	27.3	22.6	18.6	8	-30	150	47	63	22350.0241
8	80	9.5	14.1	25	8.2	27.3	22.6	18.6	8	-30	150	51	63	22350.0242
8	90	9.5	14.1	25	8.2	27.3	22.6	18.6	8	-30	150	55	63	22350.0243
8	100	9.5	14.1	25	8.2	27.3	22.6	18.6	8	-30	150	58	63	22350.0251
10	15	12.0	14.1	25	9.6	27.3	22.6	18.6	10	-30	150	33	100	22350.0259
10	20	12.0	14.1	25	9.6	27.3	22.6	18.6	10	-30	150	36	100	22350.0244
10	25	12.0	14.1	25	9.6	27.3	22.6	18.6	10	-30	150	38	100	22350.0245
10	30	12.0	14.1	25	9.6	27.3	22.6	18.6	10	-30	150	42	100	22350.0246
10	35	12.0	14.1	25	9.6	27.3	22.6	18.6	10	-30	150	44	100	22350.0247
10	40	12.0	14.1	25	9.6	27.3	22.6	18.6	10	-30	150	47	100	22350.0248
10	45	12.0	14.1	25	9.6	27.3	22.6	18.6	10	-30	150	50	100	22350.0249
10	50	12.0	14.1	25	9.6	27.3	22.6	18.6	10	-30	150	53	100	22350.0250
10	60	12.0	14.1	25	9.6	27.3	22.6	18.6	10	-30	150	59	100	22350.0252
10	70	12.0	14.1	25	9.6	27.3	22.6	18.6	10	-30	150	65	100	22350.0253
10	80	12.0	14.1	25	9.6	27.3	22.6	18.6	10	-30	150	71	100	22350.0254
10	90	12.0	14.1	25	9.6	27.3	22.6	18.6	10	-30	150	77	100	22350.0255
10	100	12.0	14.1	25	9.6	27.3	22.6	18.6	10	-30	150	83	100	22350.0256
10	110	12.0	14.1	25	9.6	27.3	22.6	18.6	10	-30	150	88	100	22350.0257
10	120	12.0	14.1	25	9.6	27.3	22.6	18.6	10	-30	150	94	100	22350.0258
12	20	14.5	17.7	35	10.6	33.2	27.3	22.3	12	-30	150	66	144	22350.0264
12	25	14.5	17.7	35	10.6	33.2	27.3	22.3	12	-30	150	70	144	22350.0265
12	30	14.5	17.7	35	10.6	33.2	27.3	22.3	12	-30	150	75	144	22350.0266
12	35	14.5	17.7	35	10.6	33.2	27.3	22.3	12	-30	150	79	144	22350.0267
12	40	14.5	17.7	35	10.6	33.2	27.3	22.3	12	-30	150	83	144	22350.0268
12	45	14.5	17.7	35	10.6	33.2	27.3	22.3	12	-30	150	88	144	22350.0269
12	50	14.5	17.7	35	10.6	33.2	27.3	22.3	12	-30	150	92	144	22350.0270
12	60	14.5	17.7	35	10.6	33.2	27.3	22.3	12	-30	150	100	144	22350.0272
12	70	14.5	17.7	35	10.6	33.2	27.3	22.3	12	-30	150	109	144	22350.0274
12	80	14.5	17.7	35	10.6	33.2	27.3	22.3	12	-30	150	117	144	22350.0276
12	90	14.5	17.7	35	10.6	33.2	27.3	22.3	12	-30	150	126	144	22350.0260
12	100	14.5	17.7	35	10.6	33.2	27.3	22.3	12	-30	150	134	144	22350.0261
12	110	14.5	17.7	35	10.6	33.2	27.3	22.3	12	-30	150	143	144	22350.0262
12	120	14.5	17.7	35	10.6	33.2	27.3	22.3	12	-30	150	151	144	22350.0263
16	30	19.0	23.4	40	14.0	42.2	34.5	28.5	16	-30	150	151	257	22350.0271
16	35	19.0	23.4	40	14.0	42.2	34.5	28.5	16	-30	150	156	257	22350.0273
16	40	19.0	23.4	40	14.0	42.2	34.5	28.5	16	-30	150	163	257	22350.0275
16	45	19.0	23.4	40	14.0	42.2	34.5	28.5	16	-30	150	171	257	22350.0277
16	50	19.0	23.4	40	14.0	42.2	34.5	28.5	16	-30	150	182	257	22350.0278
16	60	19.0	23.4	40	14.0	42.2	34.5	28.5	16	-30	150	197	257	22350.0279
16	70	19.0	23.4	40	14.0	42.2	34.5	28.5	16	-30	150	213	257	22350.0280
16	80	19.0	23.4	40	14.0	42.2	34.5	28.5	16	-30	150	224	257	22350.0281
16	90	19.0	23.4	40	14.0	42.2	34.5	28.5	16	-30	150	244	257	22350.0282
16	100	19.0	23.4	40	14.0	42.2	34.5	28.5	16	-30	150	255	257	22350.0283

<sup>1)</sup> Shearing resistance similar to DIN 50141

d <sub>1</sub> -0.04 -0.08	l <sub>1</sub> +0.6	Dimensions							Location hole H11	 min. max.		 [g]	Shearing resistance, two-shear <sup>1)</sup> min. [kN]	Art. No.
		d <sub>2</sub>	d <sub>3</sub>	d <sub>4</sub>	l <sub>2</sub> ±1	l <sub>3</sub>	l <sub>4</sub>	l <sub>5</sub>		[mm]	[°C]			
16	110	19.0	23.4	40	14.0	42.2	34.5	28.5	16	-30	150	270	257	22350.0284
16	120	19.0	23.4	40	14.0	42.2	34.5	28.5	16	-30	150	291	257	22350.0285
16	130	19.0	23.4	40	14.0	42.2	34.5	28.5	16	-30	150	301	257	22350.0286
16	140	19.0	23.4	40	14.0	42.2	34.5	28.5	16	-30	150	317	257	22350.0287
16	150	19.0	23.4	40	14.0	42.2	34.5	28.5	16	-30	150	337	257	22350.0288
20	50	24.8	23.4	40	17.0	43.1	34.5	28.5	20	-30	150	244	403	22350.0289
20	60	24.8	23.4	40	17.0	43.1	34.5	28.5	20	-30	150	265	403	22350.0290
20	70	24.8	23.4	40	17.0	43.1	34.5	28.5	20	-30	150	291	403	22350.0291
20	80	24.8	23.4	40	17.0	43.1	34.5	28.5	20	-30	150	316	403	22350.0292
20	90	24.8	23.4	40	17.0	43.1	34.5	28.5	20	-30	150	335	403	22350.0293
20	100	24.8	23.4	40	17.0	43.1	34.5	28.5	20	-30	150	363	403	22350.0294
20	110	24.8	23.4	40	17.0	43.1	34.5	28.5	20	-30	150	384	403	22350.0295
20	120	24.8	23.4	40	17.0	43.1	34.5	28.5	20	-30	150	413	403	22350.0296
20	130	24.8	23.4	40	17.0	43.1	34.5	28.5	20	-30	150	432	403	22350.0297
20	140	24.8	23.4	40	17.0	43.1	34.5	28.5	20	-30	150	455	403	22350.0298
20	150	24.8	23.4	40	17.0	43.1	34.5	28.5	20	-30	150	479	403	22350.0299
25	50	31.0	30.4	50	22.0	54.8	43.5	36.5	25	-30	150	441	631	22350.0300
25	60	31.0	30.4	50	22.0	54.8	43.5	36.5	25	-30	150	473	631	22350.0301
25	70	31.0	30.4	50	22.0	54.8	43.5	36.5	25	-30	150	517	631	22350.0302
25	80	31.0	30.4	50	22.0	54.8	43.5	36.5	25	-30	150	555	631	22350.0303
25	90	31.0	30.4	50	22.0	54.8	43.5	36.5	25	-30	150	585	631	22350.0304
25	100	31.0	30.4	50	22.0	54.8	43.5	36.5	25	-30	150	623	631	22350.0305
25	110	31.0	30.4	50	22.0	54.8	43.5	36.5	25	-30	150	658	631	22350.0306
25	120	31.0	30.4	50	22.0	54.8	43.5	36.5	25	-30	150	698	631	22350.0307
25	130	31.0	30.4	50	22.0	54.8	43.5	36.5	25	-30	150	742	631	22350.0308
25	140	31.0	30.4	50	22.0	54.8	43.5	36.5	25	-30	150	773	631	22350.0309
25	150	31.0	30.4	50	22.0	54.8	43.5	36.5	25	-30	150	822	631	22350.0310

<sup>1)</sup> Shearing resistance similar to DIN 50141

### Application example



### Compliance

#### Non-RoHS compliant

Not compliant according to Directive 2011/65/EU and Directive 2015/863.

#### Contains SVHC substances >0,1% w/w

Contains lead - SVHC list [REACH] as of 27.06.2024.

#### Contains Proposition 65 substances



Lead can cause cancer and reproductive harm from exposure  
<https://www.P65Warnings.ca.gov/>

#### Free from Conflict Minerals

This product does not contain any substances designated as "conflict minerals" such as tantalum, tin, gold or tungsten from the Democratic Republic of Congo or adjacent countries.