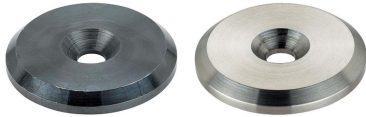


## Shaft-End Washers

EH 22270.



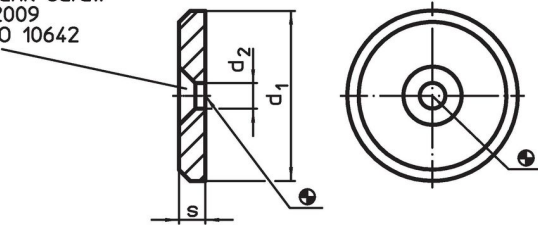
## Product Description

## Material


- Free cutting steel, unhardened, blackened
- Stainless steel 1.4305

## Drawing

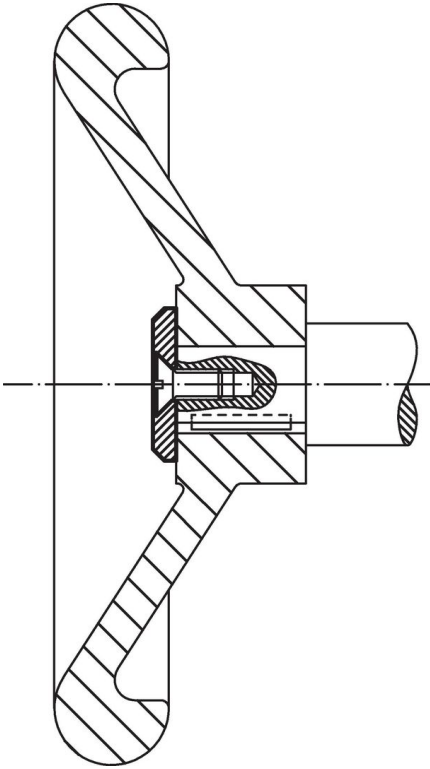
for countersunk screw  
DIN EN ISO 2009  
or DIN EN ISO 10642



## Order information

d <sub>1</sub>	Dimensions		s	 [g]	Art. No.
	d <sub>2</sub>	[mm]			
<b>Free cutting steel</b>					
16	4.5		3.0	3.6	<a href="#">22270.0016</a>
20	4.5		3.0	6.1	<a href="#">22270.0020</a>
22	5.5		3.5	8.1	<a href="#">22270.0022</a>
25	5.5		3.5	11.0	<a href="#">22270.0025</a>
28	5.5		3.5	14.0	<a href="#">22270.0028</a>
32	6.6		4.0	22.0	<a href="#">22270.0032</a>
36	6.6		4.0	28.0	<a href="#">22270.0036</a>
40	6.6		5.0	44.0	<a href="#">22270.0040</a>
45	6.6		6.0	66.0	<a href="#">22270.0045</a>
52	6.6		6.0	91.0	<a href="#">22270.0052</a>
<b>Stainless steel</b>					
16	4.5		3.0	3.6	<a href="#">22270.0116</a>
20	4.5		3.0	6.1	<a href="#">22270.0120</a>
22	5.5		3.5	8.1	<a href="#">22270.0122</a>
25	5.5		3.5	11.0	<a href="#">22270.0125</a>
28	5.5		3.5	14.0	<a href="#">22270.0128</a>
32	6.6		4.0	22.0	<a href="#">22270.0132</a>
36	6.6		4.0	28.0	<a href="#">22270.0136</a>
40	6.6		5.0	44.0	<a href="#">22270.0140</a>
45	6.6		6.0	66.0	<a href="#">22270.0145</a>
52	6.6		6.0	91.0	<a href="#">22270.0152</a>

Application example



Compliance

For detailed compliance information please select the desired article number.