

## Index Plungers · with hexagon collar, short EH 22120.



### Product Description

Index plungers are used for indexing bores.  
The small dimensions are a feature of these index plungers.

### Material

#### Body

- Free cutting steel, blackened
- Stainless steel 1.4305

#### Locking pin

- Steel, hardened
- Stainless steel 1.4305, nickel-plated

#### Knob

- Thermoplastic PA 6, black, dull

### Assembly

The screw length can be adapted by distance collars for index plungers (EH 22120.).

### Operation

When using locking index plungers, the knob is pulled-out, turned 90° and secured by a notched catch (when locking pin should not overhang).

### More information

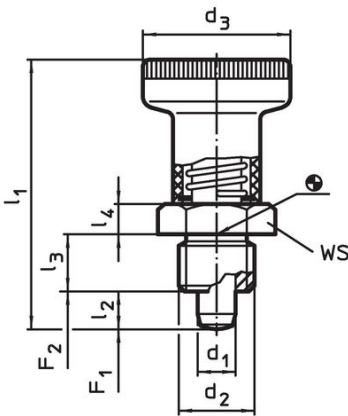
### Notes

Knob not removable.  
Lock nuts have to be purchased separately.

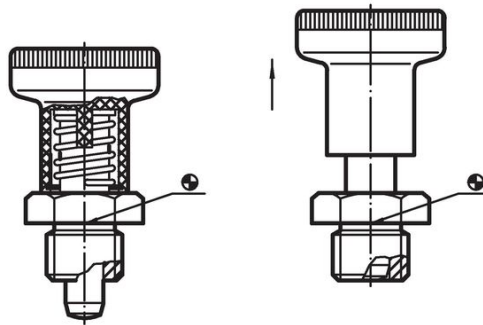
### Further products

- Locating Bushings, for index bolts and index plungers
- Distance Collars, for index plungers

### Drawing



picture 1





picture 2 with locking

### Order information

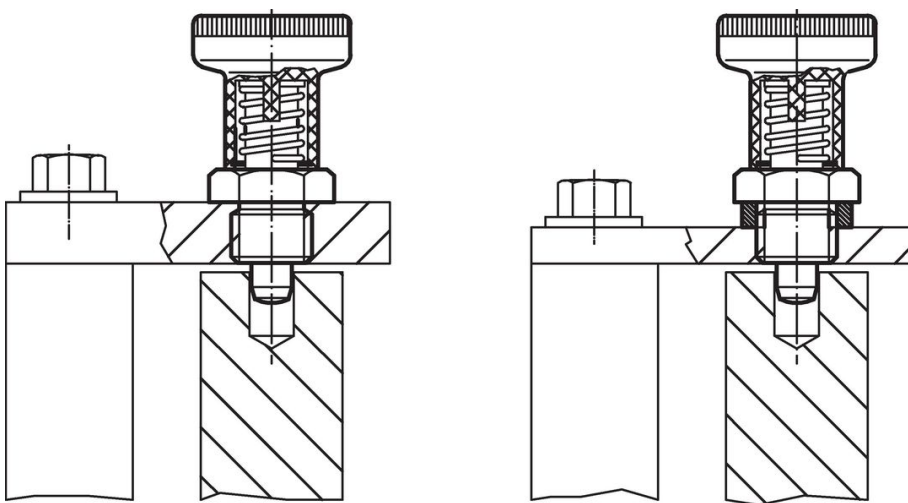
| d <sub>1</sub><br>-0.02<br>-0.05                       | Dimensions     |                |                     |                        |                         |                | WS<br>[mm] | Spring load <sup>1)</sup> |                     | min.   max. |    | [g] | Art. No.   |
|--|----------------|----------------|---------------------|------------------------|-------------------------|----------------|------------|---------------------------|---------------------|-------------|----|-----|------------|
|  | d <sub>2</sub> | d <sub>3</sub> | l <sub>1</sub><br>~ | l <sub>2</sub><br>min. | l <sub>3</sub><br>-0.15 | l <sub>4</sub> |            | F <sub>1</sub><br>~       | F <sub>2</sub><br>~ | [°C]        |    |     |            |
| <b>without locking – picture 1, Free cutting steel</b> |                |                |                     |                        |                         |                |            |                           |                     |             |    |     |            |
| 6  | M12 x 1,5      | 25             | 45                  | 6                      | 10                      | 5              | 17         | 7                         | 19                  | -30         | 80 | 35  | 22120.0226 |
| 8  | M16 x 1,5      | 31             | 54                  | 8                      | 12                      | 6              | 19         | 14                        | 24                  | -30         | 80 | 62  | 22120.0228 |
| <b>with locking – picture 2, Free cutting steel</b>    |                |                |                     |                        |                         |                |            |                           |                     |             |    |     |            |
| 6  | M12 x 1,5      | 25             | 45                  | 6                      | 10                      | 5              | 17         | 7                         | 19                  | -30         | 80 | 35  | 22120.0236 |
| 8  | M16 x 1,5      | 31             | 54                  | 8                      | 12                      | 6              | 19         | 14                        | 24                  | -30         | 80 | 60  | 22120.0238 |
| <b>without locking – picture 1, Stainless steel</b>    |                |                |                     |                        |                         |                |            |                           |                     |             |    |     |            |
| 6  | M12 x 1,5      | 25             | 45                  | 6                      | 10                      | 5              | 17         | 7                         | 19                  | -30         | 80 | 35  | 22120.0246 |
| 8  | M16 x 1,5      | 31             | 54                  | 8                      | 12                      | 6              | 19         | 14                        | 24                  | -30         | 80 | 62  | 22120.0248 |
| <b>with locking – picture 2, Stainless steel</b>       |                |                |                     |                        |                         |                |            |                           |                     |             |    |     |            |
| 6  | M12 x 1,5      | 25             | 45                  | 6                      | 10                      | 5              | 17         | 7                         | 19                  | -30         | 80 | 35  | 22120.0256 |
| 8  | M16 x 1,5      | 31             | 54                  | 8                      | 12                      | 6              | 19         | 14                        | 24                  | -30         | 80 | 60  | 22120.0258 |

<sup>1)</sup> statistical average value

### Accessories

|   | Dimensions             |      | Wrench size | [g]        | Art. No. |
|---|------------------------|------|-------------|------------|----------|
|   | d <sub>2</sub><br>[mm] | [mm] |             |            |          |
| <b>Lock nuts ISO 8675 (DIN 439), Steel</b>  |                        |      |             |            |          |
|  | M12 x 1,5              | 18   | 7.5         | 22120.0116 |          |
|   | M16 x 1,5              | 24   | 15.0        | 22120.0118 |          |
| <b>Lock nuts ISO 8675 (DIN 439), Stainless steel</b>                                |                        |      |             |            |          |
|  | M12 x 1,5              | 18   | 7.5         | 22120.0516 |          |
|   | M16 x 1,5              | 24   | 15.0        | 22120.0518 |          |

### Application example



### Compliance

For detailed compliance information please select the desired article number.