

Index Bolts • threadless, weldable EH 22120.



Product Description

Index bolts are used for indexing purposes.

This index bolt made of steel or stainless steel is available in two versions.

- riveted
- screwed

Material

Locking pin

- Steel, zinc-plated by galvanization, passivated
- Stainless steel 1.4401

Assembly

We recommend the screwed version for welded joints. The final assembly of the index bolt can then take place after the body has been welded:

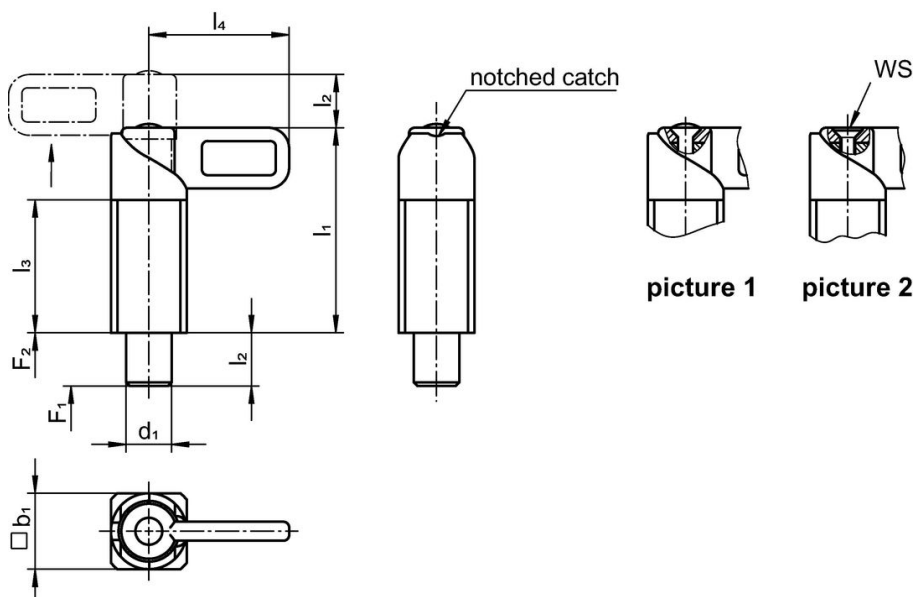
1. Weld on body (3)
2. Place the spring (2) on the locking pin (1) and insert it into the body (3)
3. Tighten the bolt (4) with the screw (5) on the locking pin (1)

The riveted version is also suitable for fastening by welding. However, care must be taken to ensure that the effect of heat is limited (e.g. by fixing with weld spots) and that there are no structural changes to the spring and bolt.

Operation

By turning the index bolt 180° the locking pin will be pulled-in and secured by a notched catch (when locking pin should not overhang).

Drawing

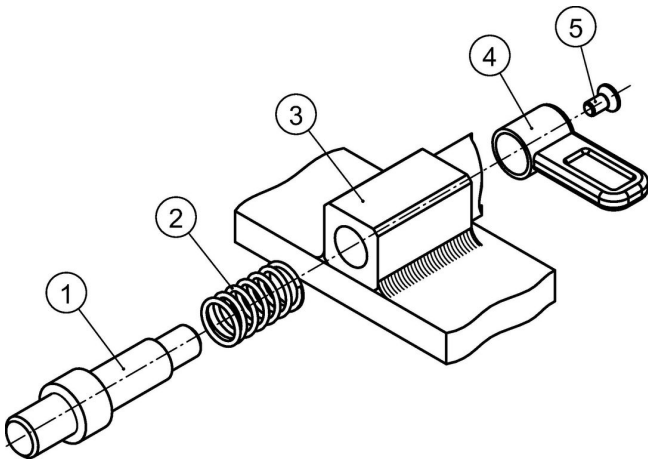


Order information

d ₁ -0.05 -0.25	b ₁	Dimensions				WS [mm]	Spring load ¹⁾		max. [°C]	[g]	Art. No.
		l ₁ ~ [mm]	l ₂	l ₃	l ₄		F ₁	F ₂			
not removable (riveted) – picture 1											
8	20	54	14	35	37	–	14	35	250	135	22120.1605
10	20	54	14	35	37	–	14	35	250	144	22120.1610
12	20	54	14	35	37	–	14	35	250	148	22120.1615
14	20	54	14	35	37	–	14	35	250	153	22120.1620
8	20	54	14	35	37	–	14	35	250	146	22120.1805
10	20	54	14	35	37	–	14	35	250	142	22120.1810
12	20	54	14	35	37	–	14	35	250	148	22120.1815
14	20	54	14	35	37	–	14	35	250	150	22120.1820
screwable (removable) – picture 2											
8	20	54	14	35	37	2.5	14	35	250	139	22120.1705
10	20	54	14	35	37	2.5	14	35	250	142	22120.1710
12	20	54	14	35	37	2.5	14	35	250	146	22120.1715
14	20	54	14	35	37	2.5	14	35	250	150	22120.1720
8	20	54	14	35	37	2.5	14	35	250	161	22120.1905
10	20	54	14	35	37	2.5	14	35	250	164	22120.1910
12	20	54	14	35	37	2.5	14	35	250	168	22120.1915
14	20	54	14	35	37	2.5	14	35	250	172	22120.1920

¹⁾ statistical average value

Application example



Compliance

RoHS compliant

Compliant according to Directive 2011/65/EU and Directive 2015/863.

Does not contain SVHC substances

No SVHC substances with more than 0.1% w/w contained - SVHC list [REACH] as of 23.01.2024.

Does not contain Proposition 65 substances

No Proposition 65 substances included.

<https://www.P65Warnings.ca.gov/>

Free from Conflict Minerals

This product does not contain any substances designated as "conflict minerals" such as tantalum, tin, gold or tungsten from the Democratic Republic of Congo or adjacent countries.