

Index Plungers • with hexagon collar EH 22120.



Product Description

Index plungers are used for indexing bores.

Material

Body

- Free cutting steel, blackened
- Stainless steel 1.4305

Locking pin

- Steel, hardened
- Stainless steel 1.4305, nickel-plated

Knob

- Thermoplastic PA 6, black, dull

Assembly

The screw length can be adapted by distance collars for index plungers (EH 22120.).

More information

Notes

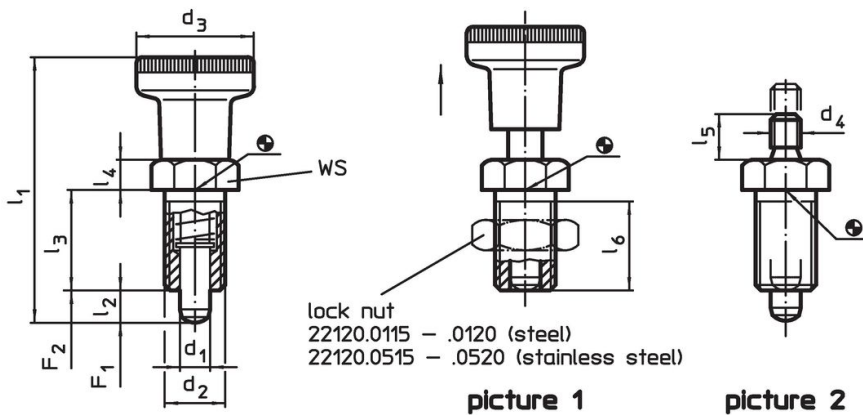
Knob not removable.

Lock nuts have to be purchased separately.

Further products

- Mounting Blocks, for index bolts and index plungers, die-cast
- Locating Bushings, for index bolts and index plungers
- Distance Collars, for index plungers

Drawing



Order information



Dimensions										WS	Spring load ¹⁾		Temperature		Weight	Art. No.
d ₁	d ₂	d ₃	d ₄	l ₁ ~	l ₂ min.	l ₃	l ₄	l ₅	l ₆ min.		F ₁ ~	F ₂ ~	min.	max.		
[mm]										[mm]	[N]		[°C]		[g]	
with knob – picture 1, Free cutting steel																
5	M10 x 1	21	–	45.0	5	17	5	–	15	12	6.0	14	-30	80	19	22120.0005
6	M12 x 1,5	25	–	54.5	6	20	6	–	17	14	6.5	19	-30	80	29	22120.0006
8	M16 x 1,5	31	–	69.0	8	26	8	–	23	19	11.5	28	-30	80	71	22120.0008
10	M20 x 1,5	31	–	80.0	10	33	10	–	30	22	23.0	54	-30	80	119	22120.0010
without knob – picture 2, Free cutting steel																
5	M10 x 1	–	M5	–	5	17	5	6	15	12	6.0	14	–	250	14	22120.0025
6	M12 x 1,5	–	M6	–	6	20	6	10	17	14	6.5	19	–	250	23	22120.0026
8	M16 x 1,5	–	M8	–	8	26	8	12	23	19	11.5	28	–	250	54	22120.0028
10	M20 x 1,5	–	M8	–	10	33	10	12	30	22	23.0	54	–	250	97	22120.0030
with knob – picture 1, Stainless steel																
5	M10 x 1	21	–	45.0	5	17	5	–	15	12	6.0	14	-30	80	19	22120.0405
6	M12 x 1,5	25	–	54.5	6	20	6	–	17	14	6.5	19	-30	80	29	22120.0406
8	M16 x 1,5	31	–	69.0	8	26	8	–	23	19	11.5	28	-30	80	71	22120.0408
10	M20 x 1,5	31	–	80.0	10	33	10	–	30	22	23.0	54	-30	80	119	22120.0410

¹⁾ statistical average value

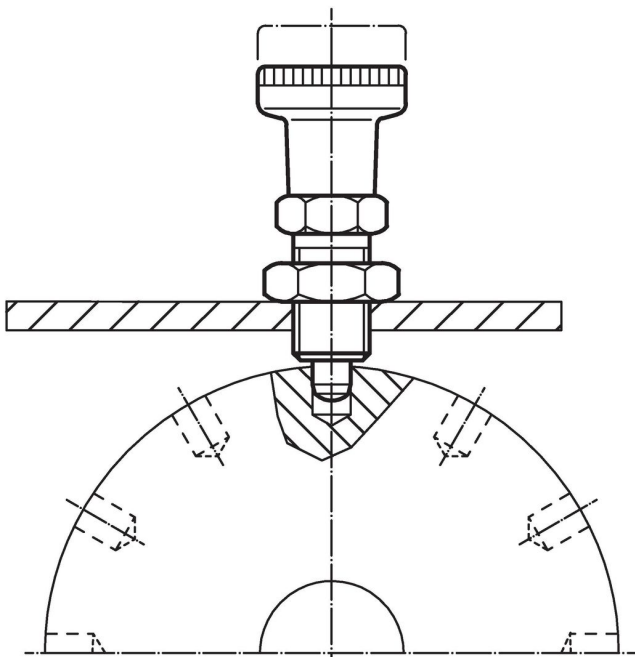
d ₁ -0.02 -0.05	d ₂	d ₃	d ₄	Dimensions						WS [mm]	Spring load ¹⁾		min. max.		[g]	Art. No.
				l ₁ ~	l ₂ min.	l ₃	l ₄	l ₅	l ₆ min.		F ₁ ~	F ₂ ~	[°C]			
[mm]																
without knob – picture 2, Stainless steel																
5	M10 x 1	-	M5	-	5	17	5	6	15	12	6.0	14	-	250	14	22120.0425
6	M12 x 1,5	-	M6	-	6	20	6	10	17	14	6.5	19	-	250	23	22120.0426
8	M16 x 1,5	-	M8	-	8	26	8	12	23	19	11.5	28	-	250	54	22120.0428
10	M20 x 1,5	-	M8	-	10	33	10	12	30	22	23.0	54	-	250	97	22120.0430

¹⁾ statistical average value

Accessories

[mm]	Dimensions		Wrench size [mm]	[g]	Art. No.
	d ₂	[mm]			
Lock nuts ISO 8675 (DIN 439), Steel					
	M10 x 1		16	5.2	22120.0115
	M12 x 1,5		18	7.5	22120.0116
	M16 x 1,5		24	15.0	22120.0118
	M20 x 1,5		30	32.0	22120.0120
Lock nuts ISO 8675 (DIN 439), Stainless steel					
	M10 x 1		16	5.2	22120.0515
	M12 x 1,5		18	7.5	22120.0516
	M16 x 1,5		24	15.0	22120.0518
	M20 x 1,5		30	32.0	22120.0520

Application example



Compliance

For detailed compliance information please select the desired article number.