

Index Bolts • with mounting flange, horizontal EH 22120.



Product Description

Index bolts are used for indexing purposes.

Material

Housing

- Zinc die-cast, plastic coated, black

Locking pin

- Steel, zinc-plated by galvanization

Catch

- plastic

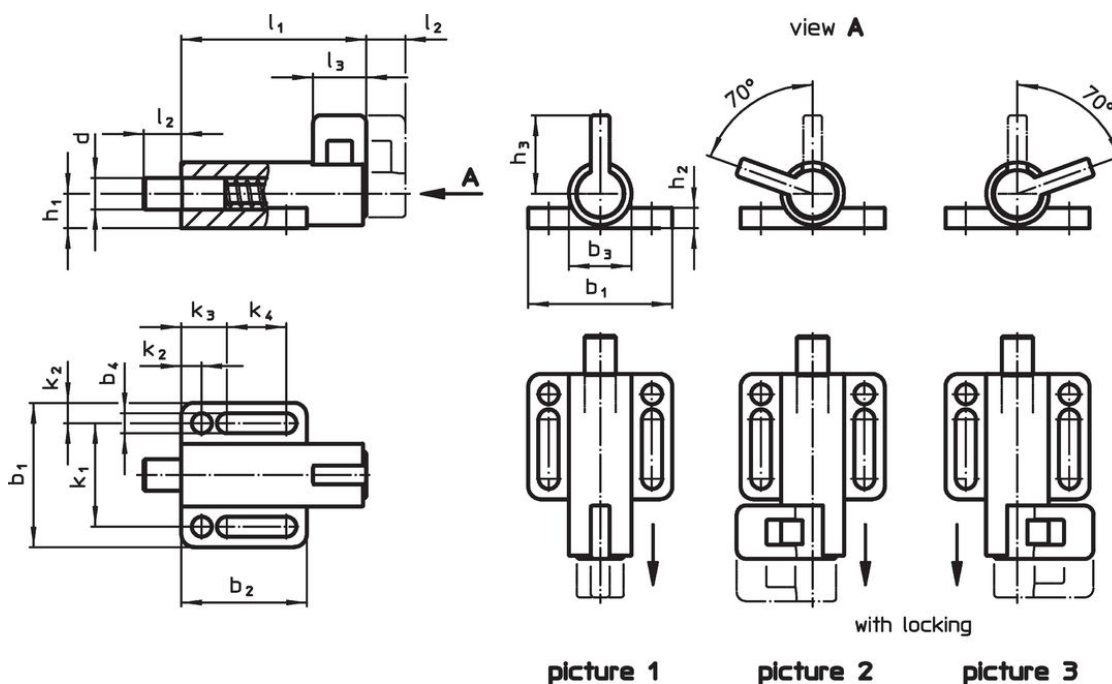
Assembly

Assembly by means of washers ISO 7092.

Operation

When using the model with locking mechanism, you pull out the bolt, turn it by 70° and secure it using the notched catch (if the locking pin should not overhang).

Drawing



Order information

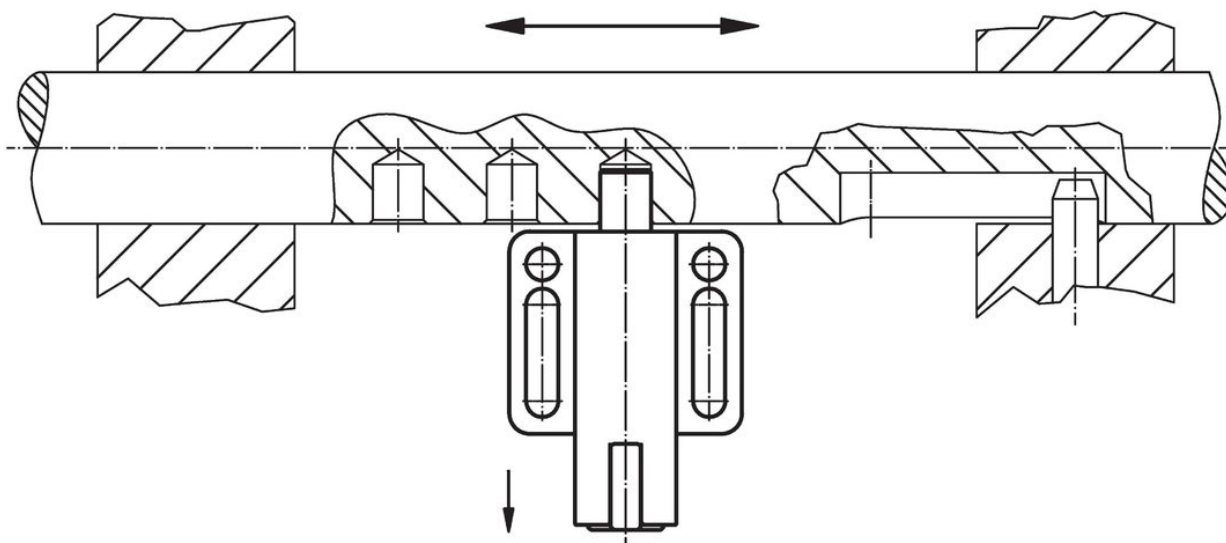
Dimensions														Spring load ¹⁾		Temperature		Weight [g]	Art. No.	
d	l ₂	b ₁	b ₂	b ₃	b ₄	h ₁	h ₂	h ₃	k ₁	k ₂	k ₃	k ₄	l ₁	l ₃	F ₁	F ₂	min.			max.
-0.05	min.														~	~	[°C]	[°C]	[g]	
without locking – picture 1																				
6	10	38	32	16	5.4	8.5	6	23	27	5.5	12.0	14.5	57	14	21	27	-30	80	68	22120.1016
8	10	38	32	16	5.4	8.5	6	23	27	5.5	12.0	14.5	57	14	21	27	-30	80	69	22120.1020
8	12	46	40	20	6.4	11.0	6	29	33	6.5	14.5	19.0	71	17	25	38	-30	80	131	22120.1024
10	10	38	32	16	5.4	8.5	6	23	27	5.5	12.0	14.5	57	14	21	27	-30	80	72	22120.1028
10	12	46	40	20	6.4	11.0	6	29	33	6.5	14.5	19.0	71	17	25	38	-30	80	133	22120.1032
12	12	46	40	20	6.4	11.0	6	29	33	6.5	14.5	19.0	71	17	25	38	-30	80	137	22120.1036
with locking, left – picture 2																				
6	10	38	32	16	5.4	8.5	6	23	27	5.5	12.0	14.5	57	14	21	27	-30	80	67	22120.1116
8	10	38	32	16	5.4	8.5	6	23	27	5.5	12.0	14.5	57	14	21	27	-30	80	69	22120.1120
8	12	46	40	20	6.4	11.0	6	29	33	6.5	14.5	19.0	71	17	25	38	-30	80	130	22120.1124
10	10	38	32	16	5.4	8.5	6	23	27	5.5	12.0	14.5	57	14	21	27	-30	80	71	22120.1128
10	12	46	40	20	6.4	11.0	6	29	33	6.5	14.5	19.0	71	17	25	38	-30	80	133	22120.1132
12	12	46	40	20	6.4	11.0	6	29	33	6.5	14.5	19.0	71	17	25	38	-30	80	136	22120.1136

¹⁾ statistical average value

d -0.05	l ₂ min.	b ₁	b ₂	b ₃	b ₄	Dimensions										Spring load ¹⁾		min. max.		[g]	Art. No.				
						h ₁	h ₂	h ₃	k ₁	k ₂	k ₃	k ₄	l ₁	l ₃	F ₁ ~	F ₂ ~	[°C]								
[mm]																				[N]		[°C]		[g]	
with locking, right – picture 3																									
6	10	38	32	16	5.4	8.5	6	23	27	5.5	12.0	14.5	57	14	21	27	-30	80	67	22120.1216					
8	10	38	32	16	5.4	8.5	6	23	27	5.5	12.0	14.5	57	14	21	27	-30	80	69	22120.1220					
8	12	46	40	20	6.4	11.0	6	29	33	6.5	14.5	19.0	71	17	25	38	-30	80	130	22120.1224					
10	10	38	32	16	5.4	8.5	6	23	27	5.5	12.0	14.5	57	14	21	27	-30	80	71	22120.1228					
10	12	46	40	20	6.4	11.0	6	29	33	6.5	14.5	19.0	71	17	25	38	-30	80	132	22120.1232					
12	12	46	40	20	6.4	11.0	6	29	33	6.5	14.5	19.0	71	17	25	38	-30	80	136	22120.1236					

¹⁾ statistical average value

Application example



Compliance

RoHS compliant

Contains lead - compliant according to exceptions 6a / 6b / 6c.

Contains SVHC substances >0,1% w/w

Contains lead - SVHC list [REACH] as of 23.01.2024.

Contains Proposition 65 substances



Lead can cause cancer and reproductive harm from exposure

<https://www.P65Warnings.ca.gov/>

Free from Conflict Minerals

This product does not contain any substances designated as "conflict minerals" such as tantalum, tin, gold or tungsten from the Democratic Republic of Congo or adjacent countries.