

Index Plungers Compact • with hexagon collar, with T-Handle

EH 22110.



Product Description

Index plungers are used for indexing bores.
Simple handling, e.g. when using safety gloves, with higher pull release.
Types with / without lock have the same building height.
Due to a thread recess the index plungers can be completely screwed in.

Material

Body

- Steel, blackened
- Stainless steel 1.4305

Locking pin

- Steel, hardened
- Stainless steel 1.4305, nickel-plated

Knob

- Thermoplastic PA 6, black, dull

Assembly

The screw length can be adapted by distance collars for index plungers (EH 22120.).

More information

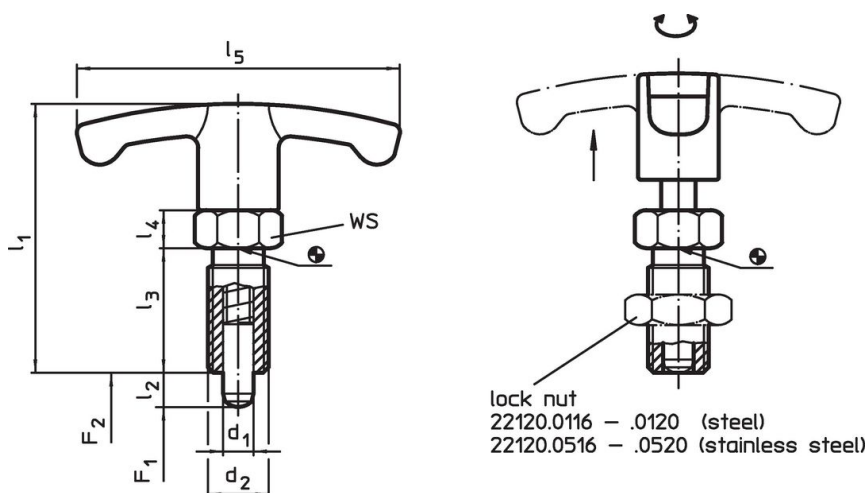
Notes

Knob not removable.
Lock nuts have to be purchased separately.

Further products

- Mounting Blocks, for index bolts and index plungers, die-cast
- Locating Bushings, for index bolts and index plungers
- Distance Collars, for index plungers

Drawing



Order information



Dimensions							WS	Spring load ¹⁾		Temperature		Weight	Art. No.
d ₁	l ₂	d ₂	l ₁	l ₃	l ₄	l ₅		F ₁	F ₂	min.	max.		
-0.02 -0.05							[mm]	[N]	[N]	[°C]			
Steel													
6	6	M12 x 1,5	48	22	6	54	14	6.5	19	-30	80	31	22110.0820
6	9	M12 x 1,5	48	22	6	54	14	6.0	25	-30	80	31	22110.0822
8	8	M16 x 1,5	59	26	8	59	17	8.5	26	-30	80	64	22110.0824
8	12	M16 x 1,5	59	26	8	59	17	8.5	28	-30	80	65	22110.0826
10	12	M16 x 1,5	59	26	8	59	17	9.5	38	-30	80	66	22110.0828
12	15	M20 x 1,5	68	33	10	59	22	11.5	40	-30	80	121	22110.0830

¹⁾ statistical average value

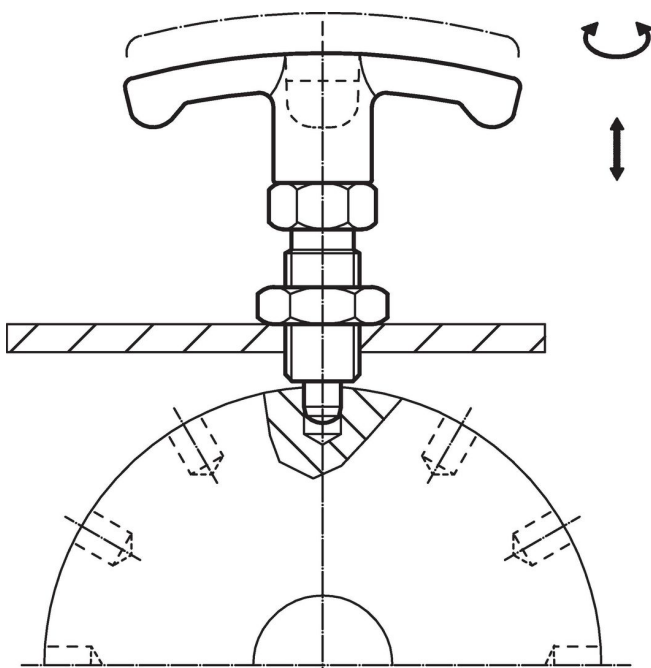
Dimensions							WS [mm]	Spring load ¹⁾		Temperature		Weight [g]	Art. No.
d ₁ -0.02 -0.05	l ₂	d ₂	l ₁	l ₃	l ₄	l ₅		F ₁ ~ [N]	F ₂ ~ [N]	min. [°C]	max. [°C]		
Stainless steel													
6	6	M12 x 1,5	48	22	6	54	14	6.5	19	-30	80	31	22110.0920
6	9	M12 x 1,5	48	22	6	54	14	6.0	25	-30	80	31	22110.0922
8	8	M16 x 1,5	59	26	8	59	17	8.5	26	-30	80	64	22110.0924
8	12	M16 x 1,5	59	26	8	59	17	8.5	28	-30	80	65	22110.0926
10	12	M16 x 1,5	59	26	8	59	17	9.5	38	-30	80	66	22110.0928
12	15	M20 x 1,5	68	33	10	59	22	11.5	40	-30	80	121	22110.0930

¹⁾ statistical average value

Accessories

Image	Dimensions	Wrench size [mm]	Weight [g]	Art. No.
	d ₂ [mm]			
Lock nuts ISO 8675 (DIN 439), Steel				
	M12 x 1,5	18	7.5	22120.0116
	M16 x 1,5	24	15.0	22120.0118
	M20 x 1,5	30	32.0	22120.0120
Lock nuts ISO 8675 (DIN 439), Stainless steel				
	M12 x 1,5	18	7.5	22120.0516
	M16 x 1,5	24	15.0	22120.0518
	M20 x 1,5	30	32.0	22120.0520

Application example



Compliance

For detailed compliance information please select the desired article number.