

Index Plungers Mini Indexes

EH 22110.



Product Description

Particularly suitable for screwing into thin walled pieces.
Performance in the smallest space requirements.

Material

Body

- Steel, zinc-plated by galvanization
- Stainless steel 1.4305

Locking pin

- Stainless steel 1.4305

Knob

- Thermoplastic PA 6, black, dull
- Thermoplast PA 6, red, dull

Assembly

Screw in the mini index. By lifting the knob, the hexagon will be released for assembly.
The screw length can be adapted by distance collars for index plungers (EH 22120.).

Operation

When using the self-locking type the knob is pulled-out, turned 30° and secured by a notched catch.

More information

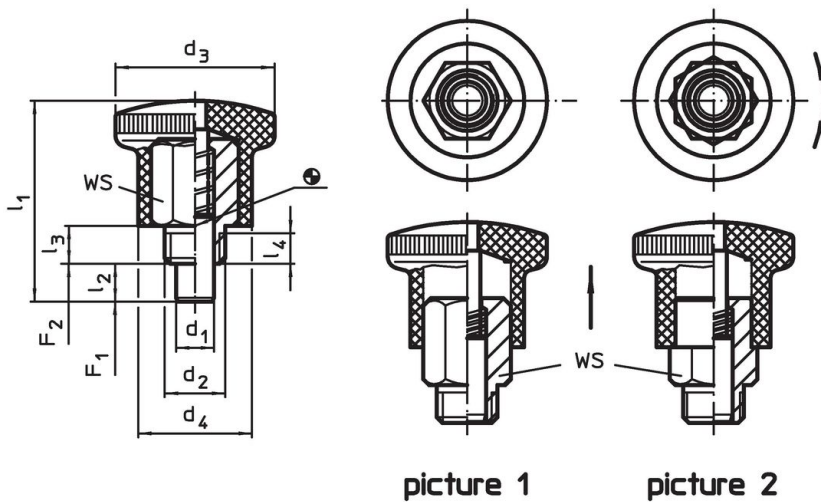
Notes

Knob not removable.

Further products

- Distance Collars, for index plungers

Drawing



Order information

Dimensions								WS	Spring load ¹⁾		Temperature		Weight	Art. No.
d_1	d_2	d_3	d_4	l_1	l_2 min.	l_3	l_4 min.		F_1 ~	F_2 ~	min.	max.		
0 -0.06								[N]		[°C]				
without locking, knob black – picture 1, Steel														
4	M 8 x 0,75	21	15	26.5	5	5	3.5	10	4.5	12	-30	80	14	22110.0024
5	M 8 x 0,75	21	15	26.5	5	5	3.5	10	4.5	12	-30	80	14	22110.0026
6	M10 x 1	25	18	34.0	7	7	4.5	12	5.0	18	-30	80	25	22110.0028
7	M10 x 1	25	18	34.0	7	7	4.5	12	5.0	18	-30	80	26	22110.0030
without locking, knob red – picture 1, Steel														
4	M 8 x 0,75	21	15	26.5	5	5	3.5	10	4.5	12	-30	80	14	22110.2024
5	M 8 x 0,75	21	15	26.5	5	5	3.5	10	4.5	12	-30	80	14	22110.2026
6	M10 x 1	25	18	34.0	7	7	4.5	12	5.0	18	-30	80	25	22110.2028
7	M10 x 1	25	18	34.0	7	7	4.5	12	5.0	18	-30	80	25	22110.2030

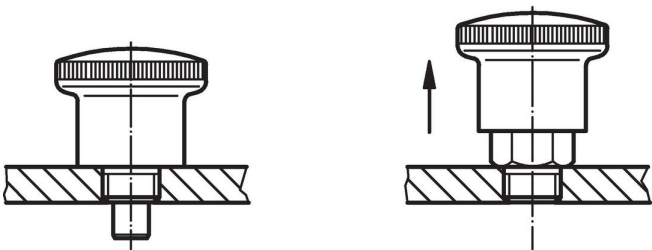
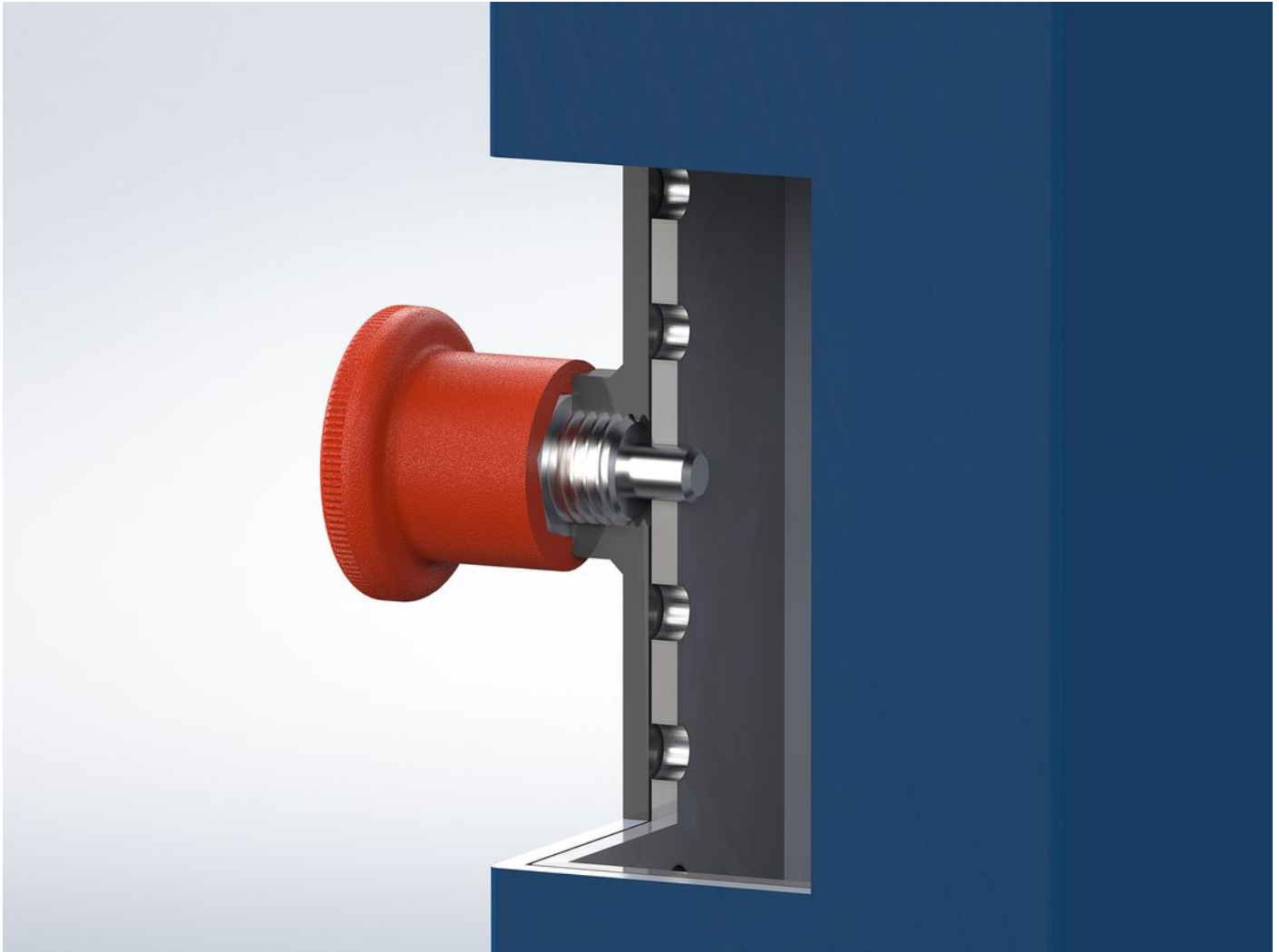
¹⁾ statistical average value

d ₁ 0 -0.06	Dimensions							WS [mm]	Spring load ¹⁾		min. max.		[g]	Art. No.			
	d ₂	d ₃	d ₄	l ₁	l ₂ min.	l ₃	l ₄ min.		F ₁ ~	F ₂ ~	[°C]						
[mm]															[N]	[°C]	[g]
with locking, knob black – picture 2, Steel																	
4	M 8 x 0,75	21	15	26.5	5	5	3.5	10	4.5	12	-30	80	13	22110.0034			
5	M 8 x 0,75	21	15	26.5	5	5	3.5	10	4.5	12	-30	80	14	22110.0036			
6	M10 x 1	25	18	34.0	7	7	4.5	12	5.0	18	-30	80	24	22110.0038			
7	M10 x 1	25	18	34.0	7	7	4.5	12	5.0	18	-30	80	25	22110.0040			
with locking, knob red – picture 2, Steel																	
4	M 8 x 0,75	21	15	26.5	5	5	3.5	10	4.5	12	-30	80	13	22110.2034			
5	M 8 x 0,75	21	15	26.5	5	5	3.5	10	4.5	12	-30	80	14	22110.2036			
6	M10 x 1	25	18	34.0	7	7	4.5	12	5.0	18	-30	80	24	22110.2038			
7	M10 x 1	25	18	34.0	7	7	4.5	12	5.0	18	-30	80	25	22110.2040			
without locking, knob black – picture 1, Stainless steel																	
4	M 8 x 0,75	21	15	26.5	5	5	3.5	10	4.5	12	-30	80	14	22110.0044			
5	M 8 x 0,75	21	15	26.5	5	5	3.5	10	4.5	12	-30	80	14	22110.0046			
6	M10 x 1	25	18	34.0	7	7	4.5	12	5.0	18	-30	80	25	22110.0048			
7	M10 x 1	25	18	34.0	7	7	4.5	12	5.0	18	-30	80	26	22110.0050			
without locking, knob red – picture 1, Stainless steel																	
4	M 8 x 0,75	21	15	26.5	5	5	3.5	10	4.5	12	-30	80	14	22110.2044			
5	M 8 x 0,75	21	15	26.5	5	5	3.5	10	4.5	12	-30	80	14	22110.2046			
6	M10 x 1	25	18	34.0	7	7	4.5	12	5.0	18	-30	80	25	22110.2048			
7	M10 x 1	25	18	34.0	7	7	4.5	12	5.0	18	-30	80	25	22110.2050			
with locking, knob black – picture 2, Stainless steel																	
4	M 8 x 0,75	21	15	26.5	5	5	3.5	10	4.5	12	-30	80	13	22110.0054			
5	M 8 x 0,75	21	15	26.5	5	5	3.5	10	4.5	12	-30	80	14	22110.0056			
6	M10 x 1	25	18	34.0	7	7	4.5	12	5.0	18	-30	80	24	22110.0058			
7	M10 x 1	25	18	34.0	7	7	4.5	12	5.0	18	-30	80	25	22110.0060			
with locking, knob red – picture 2, Stainless steel																	
4	M 8 x 0,75	21	15	26.5	5	5	3.5	10	4.5	12	-30	80	13	22110.2054			
5	M 8 x 0,75	21	15	26.5	5	5	3.5	10	4.5	12	-30	80	14	22110.2056			
6	M10 x 1	25	18	34.0	7	7	4.5	12	5.0	18	-30	80	24	22110.2058			
7	M10 x 1	25	18	34.0	7	7	4.5	12	5.0	18	-30	80	25	22110.2060			

¹⁾ statistical average value

Application example





Compliance

For detailed compliance information please select the desired article number.