

## Index Plungers · with mounting flange, horizontal, stainless steel

EH 22110.



### Product Description

Index plungers are used for indexing bores.

### Material

#### Housing

- Stainless steel 1.4308, precision casting, bright, matt blasted

#### Locking pin

- Stainless steel 1.4305

#### Knob

- Thermoplastic PA 6, black, dull

#### Pull-ring

- Stainless steel 1.4310

### Assembly

Assembly by means of washers ISO 7092.

### Operation

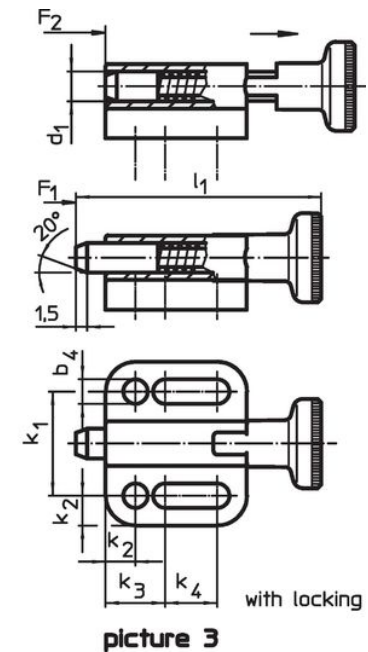
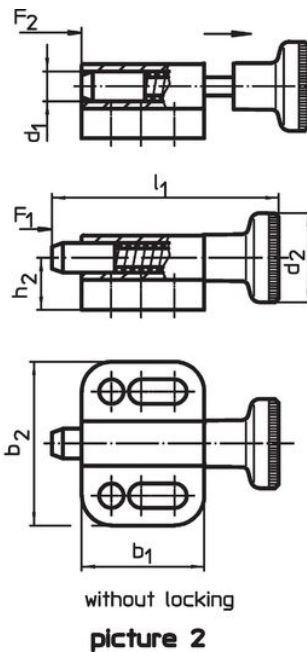
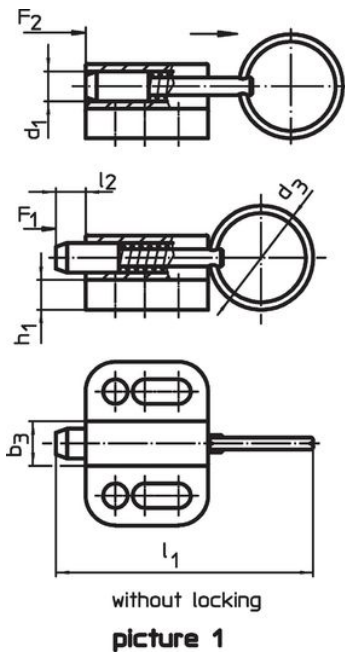
When using locking index plungers, the knob is pulled-out, turned 90° and secured by a notched catch (when locking pin should not overhang).

### More information

### Notes

Knob not removable.

### Drawing



### Order information

| Dimensions   |                |                |                |                |                |                |                |                |                |                |                |                |                | Spring load <sup>1)</sup> |                | Temperature    |      | Weight | Art. No. |                            |     |  |      |  |     |
|--|----------------|----------------|----------------|----------------|----------------|----------------|----------------|----------------|----------------|----------------|----------------|----------------|----------------|---------------------------|----------------|----------------|------|--------|----------|----------------------------|-----|--|------|--|-----|
| d <sub>1</sub>                                     | d <sub>2</sub> | d <sub>3</sub> | b <sub>1</sub> | b <sub>2</sub> | b <sub>3</sub> | b <sub>4</sub> | h <sub>1</sub> | h <sub>2</sub> | k <sub>1</sub> | k <sub>2</sub> | k <sub>3</sub> | k <sub>4</sub> | l <sub>1</sub> | l <sub>2</sub>            | F <sub>1</sub> | F <sub>2</sub> | min. | max.   |          | [g]                        |     |  |      |  |     |
| h11  |                |                |                |                |                | -0.2           |                |                | ±0.05          |                |                |                |                | min.                      | ~              | ~              |      |        |          |                            |     |  |      |  |     |
| [mm]   |                |                |                |                |                |                |                |                |                |                |                |                |                |                           |                |                |      |        |          |                            | [N] |  | [°C] |  | [g] |
| <b>with pull-ring, without locking – picture 1</b> |                |                |                |                |                |                |                |                |                |                |                |                |                |                           |                |                |      |        |          |                            |     |  |      |  |     |
| 4  | –              | 14             | 16.5           | 22             | 6.0            | 3.3            | 4.0            | 7.0            | 14             | 4.0            | 8              | 4.5            | 34.5           | 4                         | 3              | 12             | –    | 100    | 12       | <a href="#">22110.2304</a> |     |  |      |  |     |
| 5  | –              | 18             | 22.0           | 28             | 8.0            | 4.3            | 4.5            | 9.5            | 18             | 5.0            | 10             | 7.0            | 45.0           | 5                         | 5              | 24             | –    | 100    | 24       | <a href="#">22110.2305</a> |     |  |      |  |     |
| 6  | –              | 24             | 27.5           | 32             | 10.0           | 5.4            | 5.0            | 10.5           | 21             | 5.5            | 12             | 10.0           | 57.5           | 6                         | 5              | 21             | –    | 100    | 42       | <a href="#">22110.2306</a> |     |  |      |  |     |
| 8  | –              | 30             | 33.0           | 34             | 12.0           | 5.4            | 6.0            | 12.5           | 23             | 5.5            | 12             | 15.5           | 71.0           | 8                         | 6              | 22             | –    | 100    | 67       | <a href="#">22110.2308</a> |     |  |      |  |     |
| 10   | –              | 30             | 35.0           | 39             | 14.5           | 6.5            | 6.0            | 14.5           | 27             | 6.0            | 15             | 13.5           | 75.0           | 10                        | 4              | 25             | –    | 100    | 93       | <a href="#">22110.2310</a> |     |  |      |  |     |

<sup>1)</sup> statistical average value

| Dimensions                                    |                |                |                |                |                |                        |                |                |                         |                |                |                |                |                        |                            | Spring load <sup>1)</sup>  |      | min. max. |      | [g]                        | Art. No. |  |
|---|----------------|----------------|----------------|----------------|----------------|------------------------|----------------|----------------|-------------------------|----------------|----------------|----------------|----------------|------------------------|----------------------------|----------------------------|------|-----------|------|----------------------------|----------|--|
| d <sub>1</sub><br>h11                         | d <sub>2</sub> | d <sub>3</sub> | b <sub>1</sub> | b <sub>2</sub> | b <sub>3</sub> | b <sub>4</sub><br>-0.2 | h <sub>1</sub> | h <sub>2</sub> | k <sub>1</sub><br>±0.05 | k <sub>2</sub> | k <sub>3</sub> | k <sub>4</sub> | l <sub>1</sub> | l <sub>2</sub><br>min. | F <sub>1</sub><br>~<br>[N] | F <sub>2</sub><br>~<br>[N] | min. | max.      | [°C] |                            |          |  |
| <b>with knob, without locking – picture 2</b> |                |                |                |                |                |                        |                |                |                         |                |                |                |                |                        |                            |                            |      |           |      |                            |          |  |
| 4   | 12             | –              | 16.5           | 22             | 6.0            | 3.3                    | 4.0            | 7.0            | 14                      | 4.0            | 8              | 4.5            | 30.5           | 4                      | 3                          | 12                         | -30  | 80        | 14   | <a href="#">22110.2324</a> |          |  |
| 5   | 16             | –              | 22.0           | 28             | 8.0            | 4.3                    | 4.5            | 9.5            | 18                      | 5.0            | 10             | 7.0            | 40.0           | 5                      | 5                          | 24                         | -30  | 80        | 26   | <a href="#">22110.2325</a> |          |  |
| 6   | 18             | –              | 27.5           | 32             | 10.0           | 5.4                    | 5.0            | 10.5           | 21                      | 5.5            | 12             | 10.0           | 49.0           | 6                      | 5                          | 21                         | -30  | 80        | 44   | <a href="#">22110.2326</a> |          |  |
| 8   | 21             | –              | 33.0           | 34             | 12.0           | 5.4                    | 6.0            | 12.5           | 23                      | 5.5            | 12             | 15.5           | 59.0           | 8                      | 6                          | 22                         | -30  | 80        | 67   | <a href="#">22110.2328</a> |          |  |
| 10  | 25             | –              | 35.0           | 39             | 14.5           | 6.5                    | 6.0            | 14.5           | 27                      | 6.0            | 15             | 13.5           | 67.5           | 10                     | 4                          | 25                         | -30  | 80        | 99   | <a href="#">22110.2330</a> |          |  |
| <b>with knob and locking – picture 3</b>      |                |                |                |                |                |                        |                |                |                         |                |                |                |                |                        |                            |                            |      |           |      |                            |          |  |
| 4   | 12             | –              | 19.0           | 22             | 6.0            | 3.3                    | 4.0            | 7.0            | 14                      | 4.0            | 8              | 7.0            | 33.0           | 4                      | 3                          | 12                         | -30  | 80        | 15   | <a href="#">22110.2344</a> |          |  |
| 5   | 16             | –              | 25.5           | 28             | 8.0            | 4.3                    | 4.5            | 9.5            | 18                      | 5.0            | 10             | 10.5           | 43.5           | 5                      | 5                          | 24                         | -30  | 80        | 30   | <a href="#">22110.2345</a> |          |  |
| 6   | 18             | –              | 30.5           | 32             | 10.0           | 5.4                    | 5.0            | 10.5           | 21                      | 5.5            | 12             | 13.0           | 52.0           | 6                      | 5                          | 21                         | -30  | 80        | 48   | <a href="#">22110.2346</a> |          |  |
| 8   | 21             | –              | 37.5           | 34             | 12.0           | 5.4                    | 6.0            | 12.5           | 23                      | 5.5            | 12             | 20.0           | 63.5           | 8                      | 6                          | 22                         | -30  | 80        | 68   | <a href="#">22110.2348</a> |          |  |
| 10  | 25             | –              | 40.0           | 39             | 14.5           | 6.5                    | 6.0            | 14.5           | 27                      | 6.0            | 15             | 18.5           | 72.5           | 10                     | 4                          | 25                         | -30  | 80        | 109  | <a href="#">22110.2350</a> |          |  |

<sup>1)</sup> statistical average value

## Compliance

### RoHS compliant

Compliant according to Directive 2011/65/EU and Directive 2015/863.

### Does not contain SVHC substances

No SVHC substances with more than 0.1% w/w contained - SVHC list [REACH] as of 27.06.2024.

### Does not contain Proposition 65 substances

No Proposition 65 substances included.

<https://www.P65Warnings.ca.gov/>

### Free from Conflict Minerals