

Spring Plungers • headed, with ball and internal hexagon EH 22030.



Product Description

Spring plungers can be used for locating or for applying pressure, as a detent or for ejection. Precise screwing depth due to head.

Material

Body

- Free cutting steel, blackened
- Stainless steel 1.4305

Ball

- Ball-bearing steel, hardened
- Stainless steel, hardened

Spring

- Stainless steel

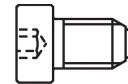
Assembly

Respect dimension l_3 for M 4 / M 5.

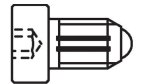
Characteristic

Standard spring load: no marking

Heavy spring load: marked with two lines



Standard spring load



Heavy spring load

More information

Notes

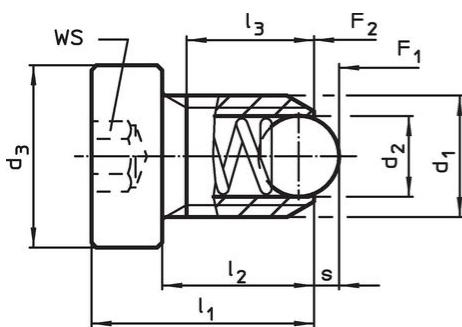
Special types on request.

Spring plungers are specially tested for spring range and forces.

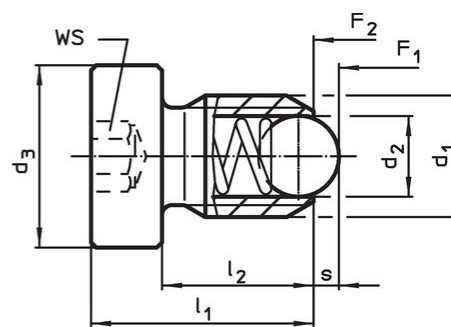
References

Thread lock on request, please refer to appendix - Technical Data -
Calculation of indexing resistance, please refer to appendix - Technical Data -

Drawing



Size M4+M5



Size M6-M12

Order information

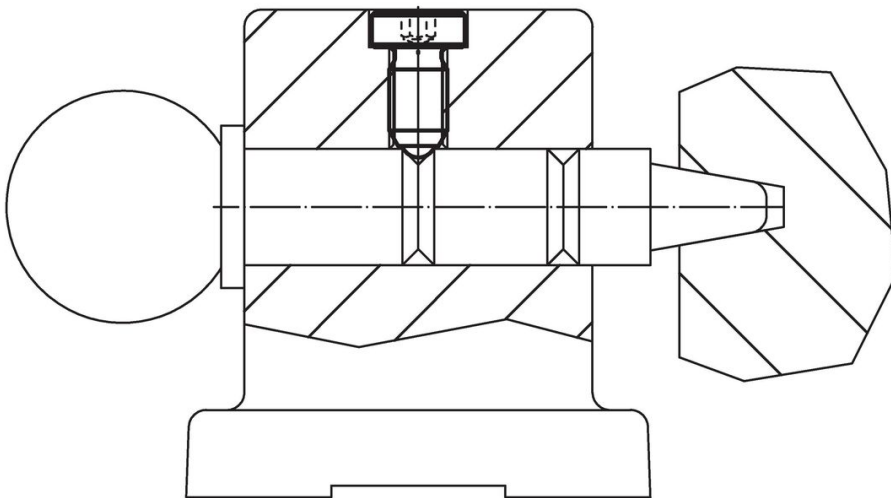
d ₁	Dimensions					WS	Stroke s	Spring load ¹⁾		max. [°C]	[g]	Art. No.
	d ₂	d ₃	l ₁	l ₂	l ₃ min.			F ₁ ~	F ₂ ~			
[mm]												[N]
free cutting steel, standard spring load												
M 4	2.5	6	12	9.0	7.5	2.0	0.8	8.0	14.0	250	1.0	22030.0930
M 5	3.0	8	14	10.0	8.2	2.5	0.9	8.0	14.0	250	2.3	22030.0931
M 6	3.5	10	15	10.0	–	3.0	1.0	11.0	18.0	250	3.9	22030.0932
M 8	4.5	13	18	12.5	–	4.0	1.5	18.0	31.0	250	7.8	22030.0933
M10	6.0	16	23	17.0	–	5.0	2.0	24.0	45.0	250	14.0	22030.0934
M12	8.0	18	26	19.0	–	6.0	2.5	26.0	49.0	250	21.0	22030.0935

¹⁾ statistical average value

d ₁	Dimensions					WS [mm]	Stroke s [mm]	Spring load ¹⁾		max. [°C]	[g]	Art. No.
	d ₂	d ₃	l ₁	l ₂	l ₃ min.			F ₁ ~ [N]	F ₂ ~ [N]			
free cutting steel, reinforced spring load												
M 4	2.5	6	12	9.0	7.5	2.0	0.8	12.0	18.0	250	1.1	22030.1040
M 5	3.0	8	14	10.0	8.2	2.5	0.9	15.0	22.0	250	2.3	22030.1050
M 6	3.5	10	15	10.0	–	3.0	1.0	19.3	26.6	250	3.9	22030.1060
M 8	4.5	13	18	12.5	–	4.0	1.5	36.0	60.5	250	7.8	22030.1080
M10	6.0	16	23	17.0	–	5.0	2.0	57.0	103.5	250	14.0	22030.1100
M12	8.0	18	26	19.0	–	6.0	2.5	61.0	110.0	250	21.0	22030.1120
stainless steel, standard spring load												
M 4	2.5	6	12	9.0	7.5	2.0	0.8	8.0	14.0	250	1.1	22030.0940
M 5	3.0	8	14	10.0	8.2	2.5	0.9	8.0	14.0	250	2.3	22030.0941
M 6	3.5	10	15	10.0	–	3.0	1.0	11.0	18.0	250	3.9	22030.0942
M 8	4.5	13	18	12.5	–	4.0	1.5	18.0	31.0	250	7.8	22030.0943
M10	6.0	16	23	17.0	–	5.0	2.0	24.0	45.0	250	14.0	22030.0944
M12	8.0	18	26	19.0	–	6.0	2.5	26.0	49.0	250	21.0	22030.0945
stainless steel, heavy spring load												
M 4	2.5	6	12	9.0	7.5	2.0	0.8	12.0	18.0	250	1.1	22030.2040
M 5	3.0	8	14	10.0	8.2	2.5	0.9	15.0	22.0	250	2.3	22030.2050
M 6	3.5	10	15	10.0	–	3.0	1.0	19.3	26.6	250	3.9	22030.2060
M 8	4.5	13	18	12.5	–	4.0	1.5	36.0	60.5	250	7.9	22030.2080
M10	6.0	16	23	17.0	–	5.0	2.0	57.0	103.5	250	14.0	22030.2100
M12	8.0	18	26	19.0	–	6.0	2.5	61.0	110.0	250	22.0	22030.2120

¹⁾ statistical average value

Application example



Compliance

For detailed compliance information please select the desired article number.