

Clamping Angles • welded, semi-finished  
EH 1910.



Product Description

Material

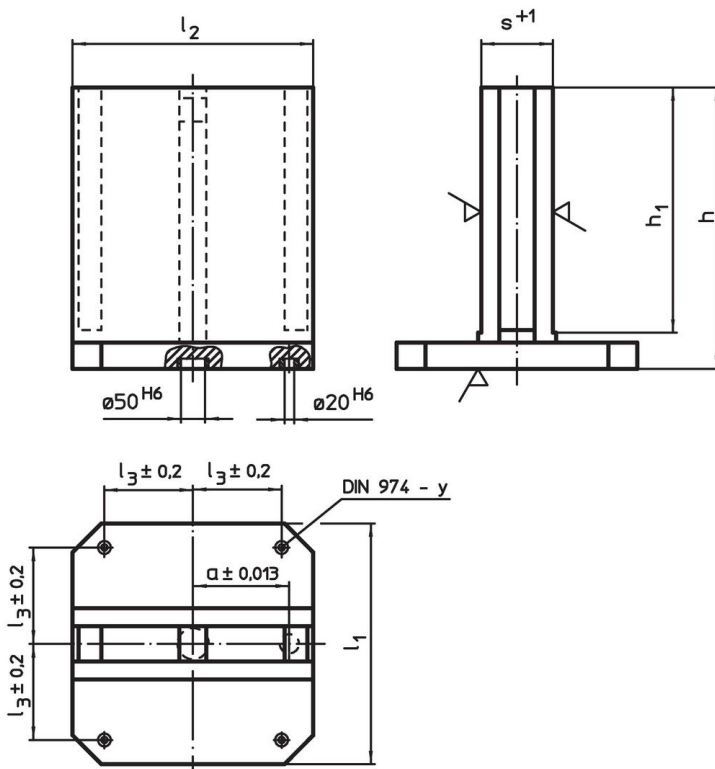
- Steel, welded

More information

Notes

Special plates on request.

Drawing



Order information

l <sub>1</sub>	l <sub>2</sub>	l <sub>3</sub> ±0.2	Dimensions				y [mm]	For screws [mm]	[kg]	Art. No.
			h [mm]	h <sub>1</sub>	s +1	a ±0.013				
400	400	150	475	425	121	150	12	M12	148	<a href="#">1910.120</a>
500	500	200	600	545	151	200	12	M12	260	<a href="#">1910.140</a>
630	630	200	725	660	181	200	16	M16	409	<a href="#">1910.160</a>

## Application example



## Compliance

### RoHS compliant

Contains lead - compliant according to exceptions 6a / 6b / 6c.

### Contains SVHC substances >0,1% w/w

Contains lead - SVHC list [REACH] as of 27.06.2024.

### Contains Proposition 65 substances



Lead can cause cancer and reproductive harm from exposure  
<https://www.P65Warnings.ca.gov/>

### Free from Conflict Minerals

This product does not contain any substances designated as "conflict minerals" such as tantalum, tin, gold or tungsten from the Democratic Republic of Congo or adjacent countries.