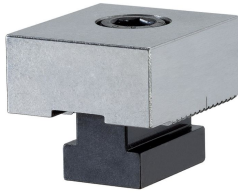


Stops • Soft
EH 1586.



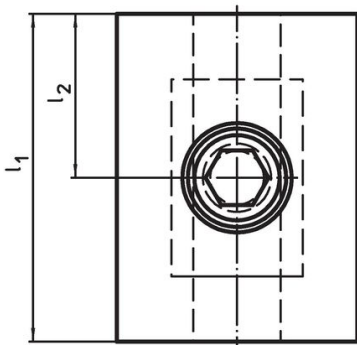
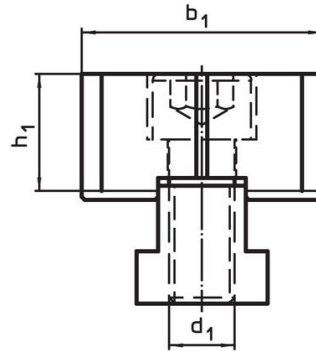
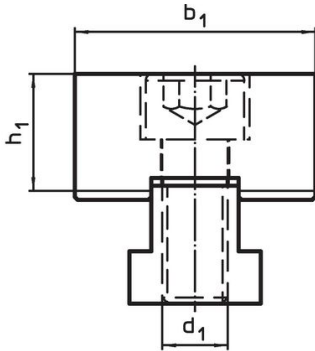
Product Description

The chucks can be machined to the needed workpiece contour.

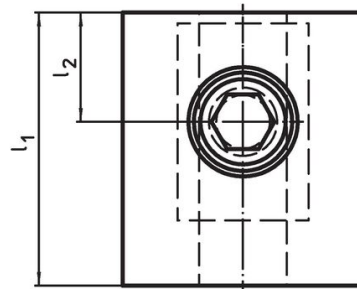
Material

- Tool steel

Drawing



picture 1



picture 2

Order information

d ₁	l ₁	Dimensions			[g]	Art. No.
		l ₂ ±0.01 [mm]	b ₁ -0.05	h ₁		
soft, on both sides – picture 1						
M12	60	30	44	21.4	537	1586.050
soft, two-sided / one side short – picture 2						
M12	50	20	44	21.4	467	1586.051

Compliance

RoHS compliant

Compliant according to Directive 2011/65/EU and Directive 2015/863.

Does not contain SVHC substances

No SVHC substances with more than 0.1% w/w contained - SVHC list [REACH] as of 27.06.2024.

Does not contain Proposition 65 substances

No Proposition 65 substances included.

<https://www.P65Warnings.ca.gov/>

Free from Conflict Minerals

This product does not contain any substances designated as "conflict minerals" such as tantalum, tin, gold or tungsten from the Democratic Republic of Congo or adjacent countries.