

Positioning Clamping Cylinders

EH 1553.500 - EH 1653.500

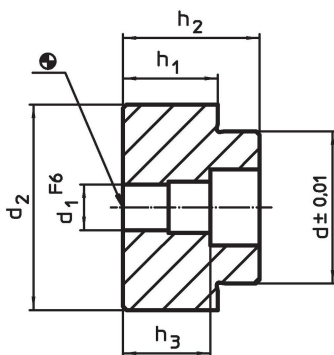


Product Description

Material

- Steel, case-hardened, ground

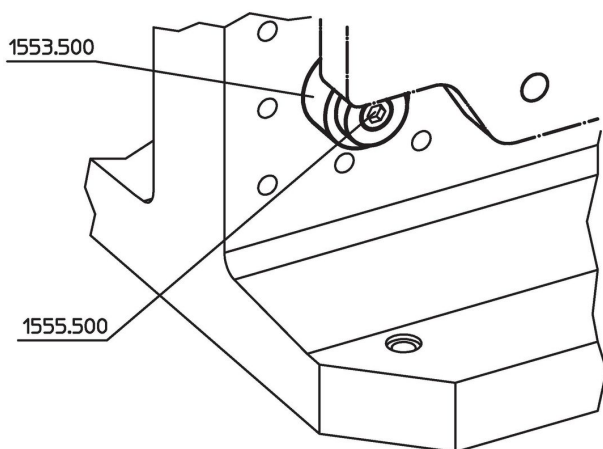
Drawing



Order information

System	Dimensions						[g]	Art. No.
	h_1 ± 0.01	h_2	d	d_1	d_2	h_3		
L12	25	36	40	12	54	24	502	1553.500
L16	35	46	50	16	70	25	1093	1653.500

Application example



Compliance

RoHS compliant

Compliant according to Directive 2011/65/EU and Directive 2015/863.

Does not contain SVHC substances

No SVHC substances with more than 0.1% w/w contained - SVHC list [REACH] as of 27.06.2024.

Does not contain Proposition 65 substances

No Proposition 65 substances included.

<https://www.P65Warnings.ca.gov/>

Free from Conflict Minerals

This product does not contain any substances designated as "conflict minerals" such as tantalum, tin, gold or tungsten from the Democratic Republic of Congo or adjacent countries.