

Clamping Cubes

EH 1508.200 - EH 1608.600



Product Description

Material

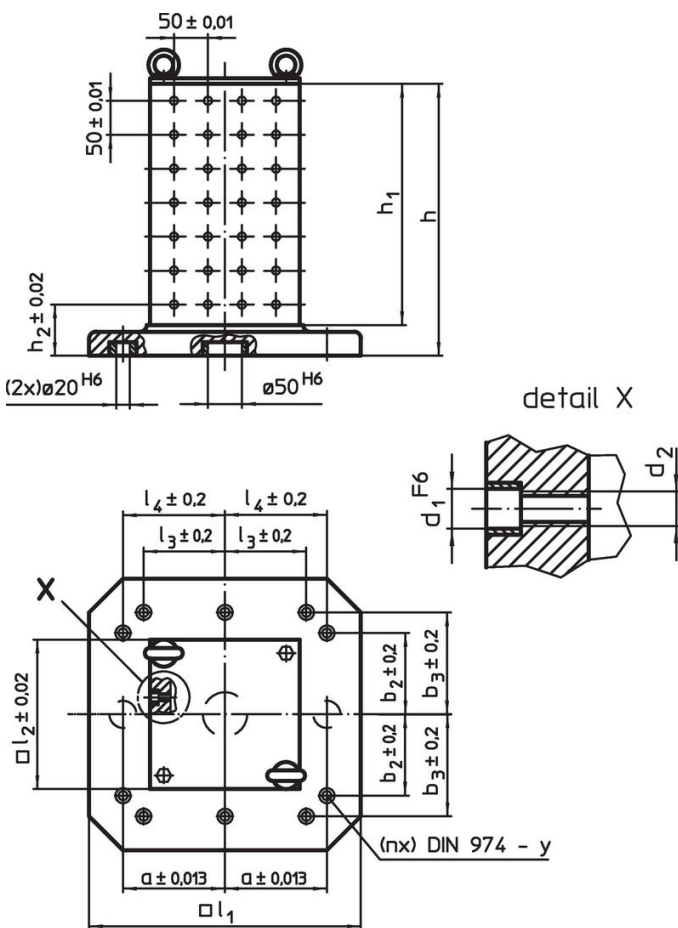
- Grey cast iron GG

More information


Notes

Special types on request.

Drawing



Order information

| System | Dimensions | | | | | | | | | | | | y | For screws | Number of fastening holes n | Number of hole rows |  | Art. No. |
|--------|----------------|----------------|----------------|-----|----------------|----------------|----------------|-----|----------------|----------------|----------------|----------------|----|------------|-----------------------------|---------------------|---|--------------------------|
| | l ₁ | l ₂ | h ₁ | h | h ₂ | d ₁ | d ₂ | a | b ₂ | b ₃ | l ₃ | l ₄ | | | | | | |
| L12 | 400 | 230 | 358 | 408 | 75 | 12 | M12 | 150 | 150 | - | - | 150 | 12 | M12 | 4 | 4 x 7 | 97 | 1508.200 |
| L12 | 500 | 330 | 510 | 565 | 85 | 12 | M12 | 200 | 200 | - | - | 200 | 12 | M12 | 6 | 6 x 10 | 204 | 1508.400 |
| L12 | 630 | 450 | 640 | 700 | 100 | 12 | M12 | 200 | 200 | 300 | 200 | 300 | 16 | M16 | 8 | 8 x 12 | 426 | 1508.600 |
| L16 | 630 | 450 | 640 | 700 | 100 | 16 | M16 | 200 | 200 | 300 | 200 | 300 | 16 | M16 | 8 | 8 x 12 | 420 | 1608.600 |

Compliance

RoHS compliant

Contains lead - compliant according to exceptions 6a / 6b / 6c.

Contains SVHC substances >0,1% w/w

Contains lead - SVHC list [REACH] as of 23.01.2024.

Contains Proposition 65 substances



Lead can cause cancer and reproductive harm from exposure

<https://www.P65Warnings.ca.gov/>

Free from Conflict Minerals

This product does not contain any substances designated as "conflict minerals" such as tantalum, tin, gold or tungsten from the Democratic Republic of Congo or adjacent countries.