

V-Blocks

EH 1048.200 - EH 1148.300

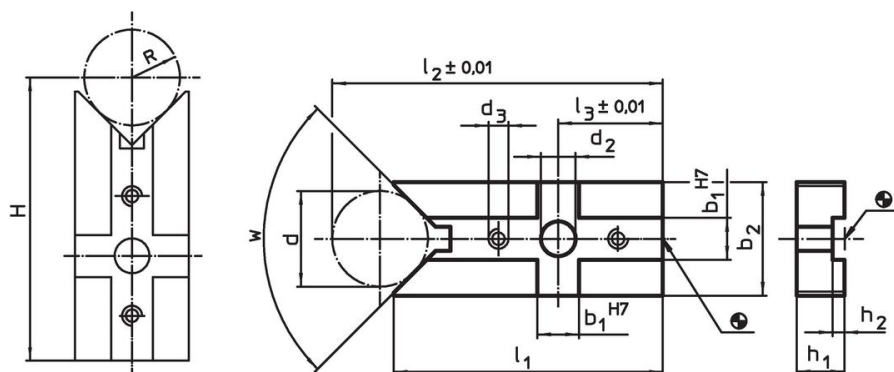


Product Description

Material

- Steel, case-hardened, ground

Drawing

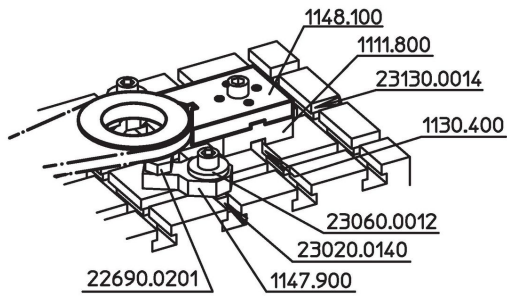


$H = (R * 1,414) + 49,497$	[1048.200]
$H = (R * 1,414) + 48,996$	[1048.300]
$H = (R * 1,155) + 77,025$	[1148.000]
$H = (R * 1,155) + 81,204$	[1148.100]
$H = (R * 1,414) + 72,872$	[1148.200]
$H = (R * 1,414) + 73,159$	[1148.300]

Order information

System	Dimensions												w	[g]	Art. No.
	b ₁	d	b ₂	d ₂	d ₃	l ₁	l ₂	l ₃	h ₁	h ₂	d min.	d max.			
[mm]															
V40	10	20	25	6.6	M4	60	73.64	20	10	2.6	8	25	90°	90	1048.200
V40	10	30	38	6.6	M4	66	85.21	20	10	2.6	8	44	90°	155	1048.300
V70	14	32	38	13.0	M6	87	111.50	35	16	4.0	18	66	120°	331	1148.000
V70	14	62	68	13.0	M6	100	148.00	35	16	4.0	18	126	120°	694	1148.100
V70	14	32	38	13.0	M6	90	111.50	35	16	4.0	14	44	90°	328	1148.200
V70	14	62	68	13.0	M6	104	148.00	35	16	4.0	14	83	90°	690	1148.300

Application example



Compliance

RoHS compliant

Compliant according to Directive 2011/65/EU and Directive 2015/863.

Does not contain SVHC substances

No SVHC substances with more than 0.1% w/w contained - SVHC list [REACH] as of 23.01.2024.

Does not contain Proposition 65 substances

No Proposition 65 substances included.
<https://www.P65Warnings.ca.gov/>

Free from Conflict Minerals

This product does not contain any substances designated as "conflict minerals" such as tantalum, tin, gold or tungsten from the Democratic Republic of Congo or adjacent countries.