

## Lateral Plungers • smooth, without seal - INCH

2B150.0011



### Product Description

To be used for positioning and applying pressure, e.g. during painting and sandblasting.

#### Material

##### Body

- Aluminium Al

##### Spring

- Steel, blackened

##### Pin

- Steel, case-hardened, zinc-plated by galvanization

#### Assembly

Installation by pressing in.

Formula for calculating the center distance for the mounting hole:

$$l_0 = z/2 + w + x,$$

$l_0$  = center distance,

$y$  = workpiece height,

$w$  = workpiece length,

$x$  = coordinate dimension,

$s$  = stroke,

$z$  = stop diameter

Calculation dimension  $x$ :

$y$  greater than or equal to  $l_2 - d_2/2$ ,

then  $x = d_2/2 - s$

or

$y$  smaller than  $l_2 - d_2/2$ ,

then  $x = d_2/2 - s - [(l_2 - d_2/2 - y) * 0,123]$

#### Characteristic

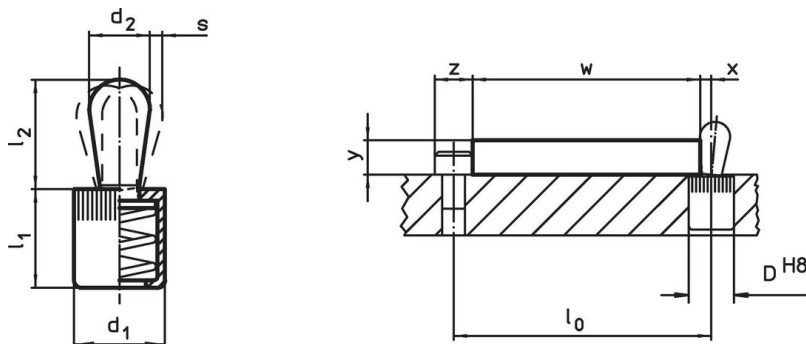
Version standard spring load = spring from steel, blackened

#### More information

#### Further products

- Eccentric Mounting Bushings, for lateral plungers, smooth - INCH

### Drawing




### Order information

| Dimensions    |               | Spring load<br>F<br>max. <sup>1)</sup><br>~<br>[lb] | Dimensions    |               | Stroke<br>s<br>[in] | Location<br>hole<br>D<br>H8<br>[in] | $x^{2)}$<br>[in] | max.<br>[°F] | oz    | Art. No.   |
|---------------|---------------|---|---------------|---------------|---------------------|-------------------------------------|------------------|--------------|-------|------------|
| $d_1$<br>[in] | $d_2$<br>[in] |   | $l_1$<br>[in] | $l_2$<br>[in] |                     |                                     |                  |              |       |            |
| 1/4           | 0.118         | 4.5   | 0.275         | 0.157         | 0.02                | 1/4                                 | 0.035            | 482          | 0.024 | 2B150.0011 |

<sup>1)</sup> statistical average value

<sup>2)</sup> If the workpiece height ( $y$ ) is less than  $l_2 - d_2/2$ , the coordinate dimension ( $x$ ) must be calculated.

Accessories

|   | Dimensions<br>d <sub>1</sub><br>[in] | <br>[oz] | Art. No.   |
|---|--------------------------------------|---|------------|
| <b>assembly tool</b>  |                                      |   |            |
|  | 1/4                                  | 0.678   | 22150.0830 |

Application example



Compliance

**RoHS compliant**

Contains lead - compliant according to exceptions 6a / 6b / 6c.

**Contains SVHC substances >0,1% w/w**

Contains lead - SVHC list [REACH] as of 23.01.2024.

**Contains Proposition 65 substances**



Lead can cause cancer and reproductive harm from exposure  
<https://www.P65Warnings.ca.gov/>

**Free from Conflict Minerals**

This product does not contain any substances designated as "conflict minerals" such as tantalum, tin, gold or tungsten from the Democratic Republic of Congo or adjacent countries.