

Palm Grips · DIN 6335 plastic
24640.1263



Product Description

Material

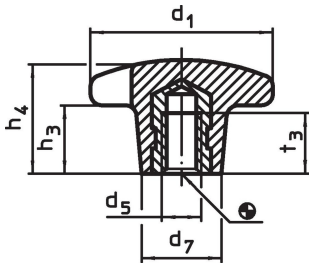
Bushing

- Stainless steel A2

Handle

- Thermosetting plastic PF 31, black similar to RAL 9005

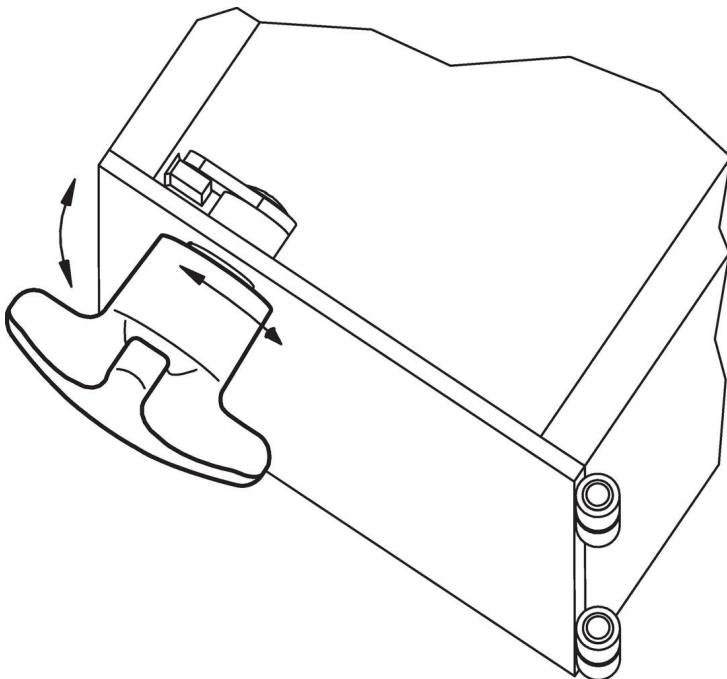
Drawing



Order information

| Dimensions | | | | | | max. [°C] | [g] | Art. No. |
|--|----------------|-----------------------------|---------------------|---------------------|----------------|--------------|-----|------------|
| d ₁ | d ₅ | d ₇ ~ [mm] | h ₃ ~ | h ₄ ~ | t ₃ | | | |
| with threaded bushing, form K, Stainless steel | | | | | | | | |
| 63 | M12 | 26 | 25 | 40 | 22 | 110 | 66 | 24640.1263 |

Application example



Compliance

RoHS compliant

Compliant according to Directive 2011/65/EU and Directive 2015/863.

Does not contain SVHC substances

No SVHC substances with more than 0.1% w/w contained - SVHC list [REACH] as of 27.06.2024.

Does not contain Proposition 65 substances

No Proposition 65 substances included.

<https://www.P65Warnings.ca.gov/>

Free from Conflict Minerals

This product does not contain any substances designated as "conflict minerals" such as tantalum, tin, gold or tungsten from the Democratic Republic of Congo or adjacent countries.