

## Clamping Nuts · welded

24470.0610



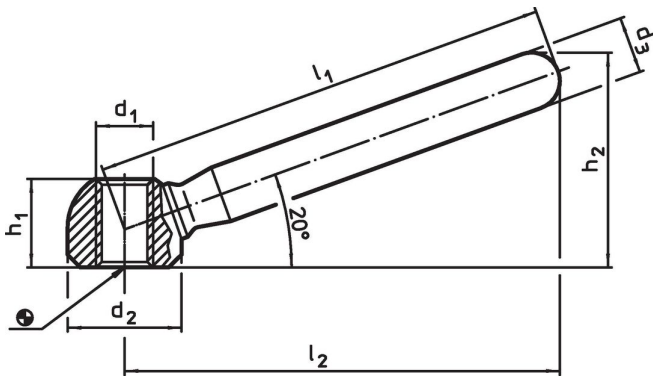
### Product Description

Low-price version to DIN 99.

### Material

- Stainless steel 1.4301, dull blasted

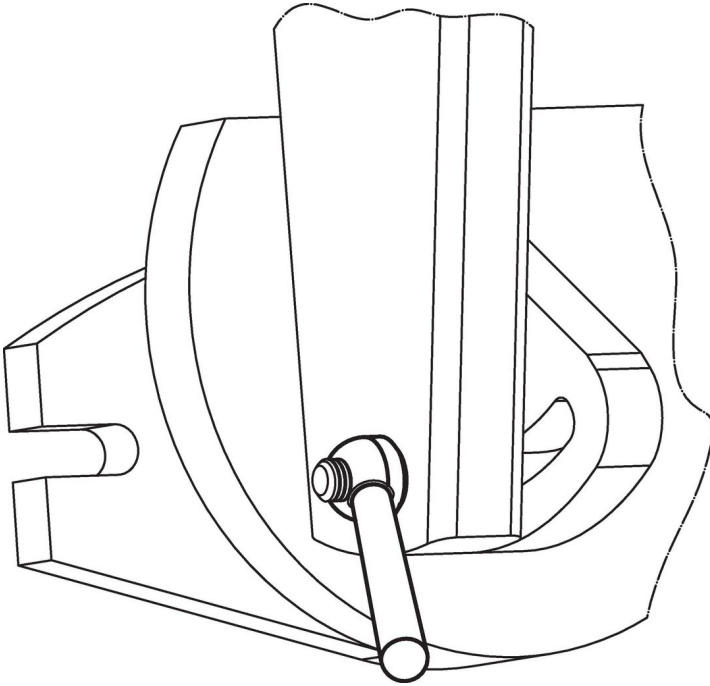
### Drawing



### Order information

Dimensions							[g]	Art. No.
$l_1$	$l_2$	$d_1$	$d_2$	$d_3$	$h_1$	$h_2$		
[mm]								
Stainless steel								
100	95	M12	25	14	19	46	149	24470.0610

## Application example



## Compliance

### RoHS compliant

Compliant according to Directive 2011/65/EU and Directive 2015/863.

### Does not contain SVHC substances

No SVHC substances with more than 0.1% w/w contained - SVHC list [REACH] as of 23.01.2024.

### Does not contain Proposition 65 substances

No Proposition 65 substances included.

<https://www.P65Warnings.ca.gov/>

### Free from Conflict Minerals

This product does not contain any substances designated as "conflict minerals" such as tantalum, tin, gold or tungsten from the Democratic Republic of Congo or adjacent countries.