

Tension Levers

24430.0042



Product Description

Material

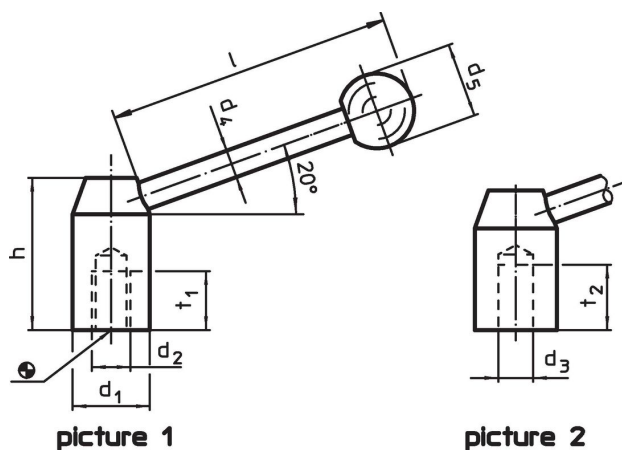
Lever

- Steel, blackened

Ball knob

- Thermosetting plastic PF 31, black, DIN 319

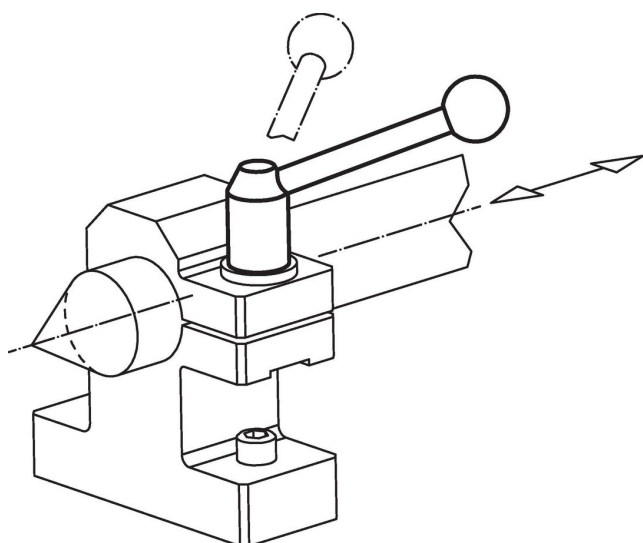
Drawing



Order information

| Dimensions | | | | | | | [g] | Art. No. |
|---------------------------------------|----------------|----------------|----------------|----|-----|----------------|-----|------------|
| d ₁ | d ₂ | d ₄ | d ₅ | h | l | t ₁ | | |
| with female thread – picture 1, Steel | | | | | | | | |
| 28 | M12 | 12 | 30 | 47 | 108 | 18 | 262 | 24430.0042 |

Application example



Compliance

RoHS compliant

Contains lead - compliant according to exceptions 6a / 6b / 6c.

Contains SVHC substances >0,1% w/w

Contains lead - SVHC list [REACH] as of 27.06.2024.

Contains Proposition 65 substances



Lead can cause cancer and reproductive harm from exposure
<https://www.P65Warnings.ca.gov/>

Free from Conflict Minerals

This product does not contain any substances designated as "conflict minerals" such as tantalum, tin, gold or tungsten from the Democratic Republic of Congo or adjacent countries.