

## Crank Handles

24330.0414



### Product Description

#### Material

##### Handle body

- Aluminium, plastic coated, black, matt structure

##### Cylindrical handle

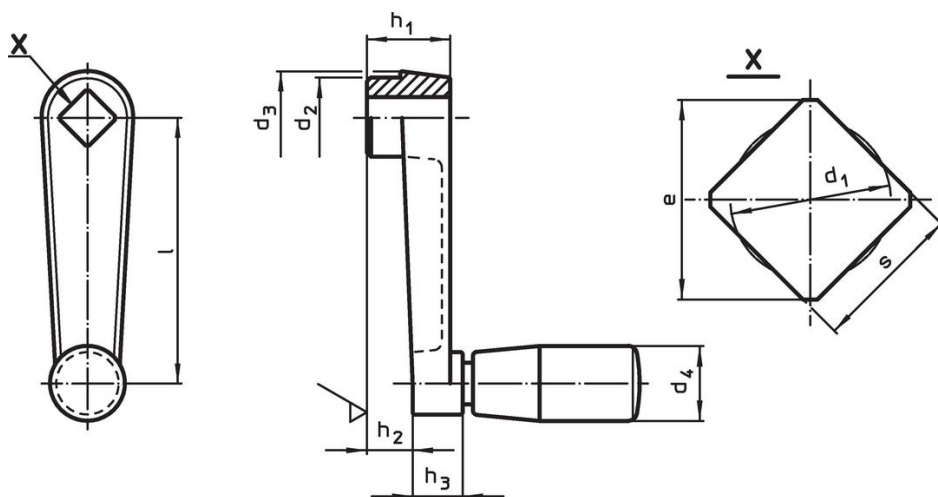
- Thermosetting plastic PF 31, black

#### More information

#### References

Alternative to crank handles DIN 469.

### Drawing

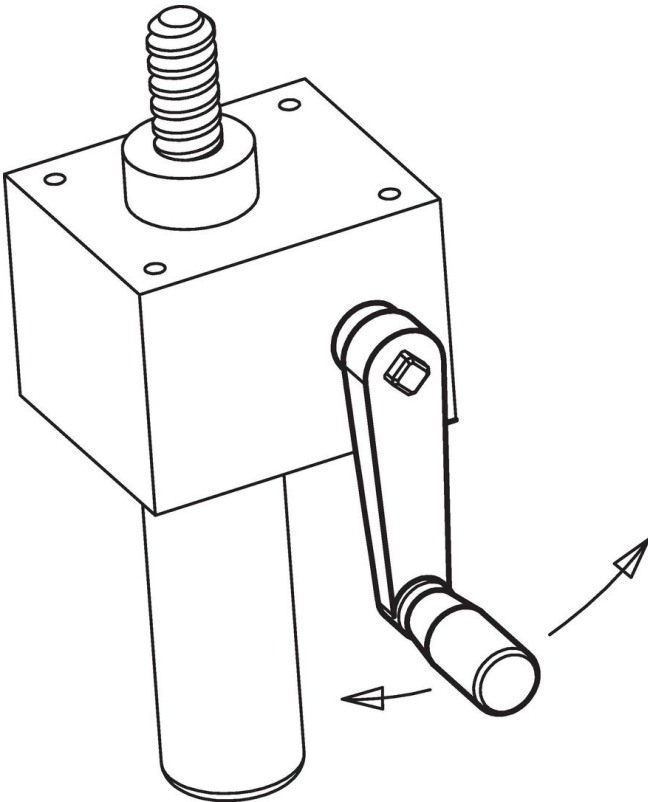


### Order information

Dimensions										$d_4$	🌡️	📦	Art. No.
$l$	$s$	$e$	$d_1$	$d_2$	$d_3$	$h_1$	$h_2$	$h_3$	Cylindrical handle Ø	max.			
	H11	min.	max.				~		EH 24530.	[°C]	[g]		
125	14	18.1	14.7	32	35	34	22	18	26	80	251	24330.0414	

Aluminium Al

## Application example



## Compliance

### RoHS compliant

Contains lead - compliant according to exceptions 6a / 6b / 6c.

### Contains SVHC substances >0,1% w/w

Contains lead - SVHC list [REACH] as of 27.06.2024.

### Contains Proposition 65 substances



Lead can cause cancer and reproductive harm from exposure  
<https://www.P65Warnings.ca.gov/>

### Free from Conflict Minerals

This product does not contain any substances designated as "conflict minerals" such as tantalum, tin, gold or tungsten from the Democratic Republic of Congo or adjacent countries.