

Toggle Clamps Hook Type · vertical, with horizontal base

23330.5004



Product Description

Due to their favourable power to movement ratio and their easy action the toggle clamps are versatile applicable for a wide range of uses.

The toggle clamps are manufactured from high quality components and are designed for maintenance-free continuous use.

An oil resistant ergonomic 2-component handle, with slip-proof, soft surface and large grip area for high ease of use.

Material

Clamp

- Steel, zinc-plated by galvanization, passivated

Rivet

- Stainless steel

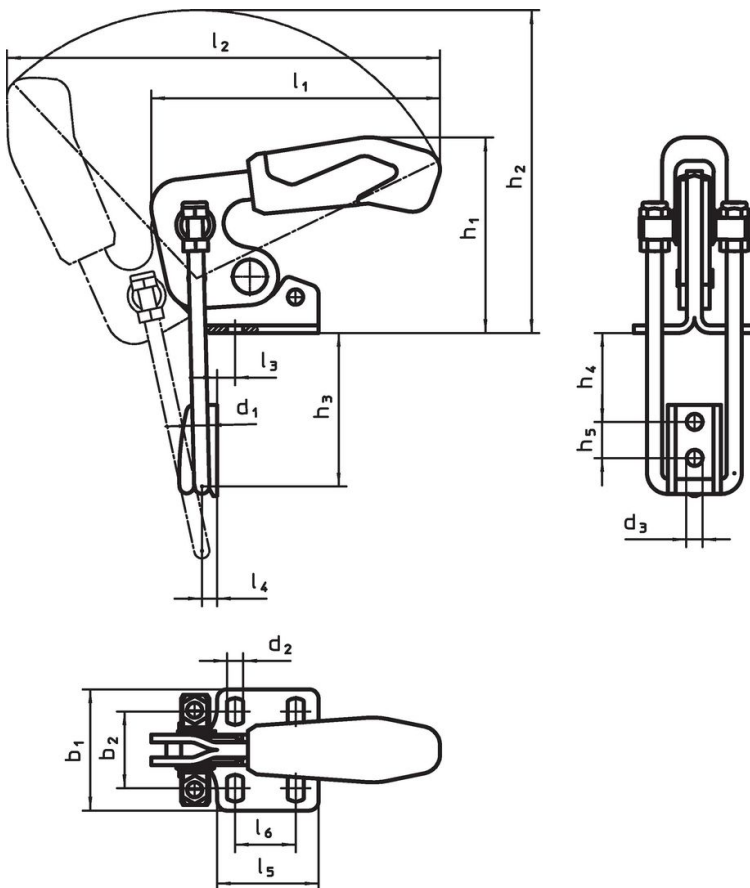
Handle

- plastic



Counter catch

- Steel, zinc-plated by galvanization, passivated

Drawing



Order information

Nominal size	Dimensions																	Holding force F ₁ [kN]	 min. max. [°C]		 [g]	Art. No.	
	d ₁	d ₂	d ₃	b ₁	b ₂	h ₁	h ₂	h ₃ min.	h ₃ max.	h ₄ min.	h ₄ max.	h ₅	l ₁	l ₂	l ₃	l ₄	l ₅		l ₆	[mm]			
Steel																							
4	6	6.5	6.5	48	24.5 – 32	70	136	34.5	64	7	36	14	125	190	8	6	35	19	3.2	-10	80	358	23330.5004

Compliance

RoHS compliant

Compliant according to Directive 2011/65/EU and Directive 2015/863.

Does not contain SVHC substances

No SVHC substances with more than 0.1% w/w contained - SVHC list [REACH] as of 23.01.2024.

Does not contain Proposition 65 substances

No Proposition 65 substances included.

<https://www.P65Warnings.ca.gov/>

Free from Conflict Minerals

This product does not contain any substances designated as "conflict minerals" such as tantalum, tin, gold or tungsten from the Democratic Republic of Congo or adjacent countries.