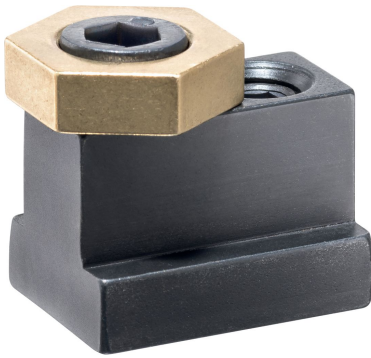


Eccentric Clamping Clamps · with slot tenon

23270.0414



Product Description

The eccentric clamping clamps can be used for quick and easy workpiece clamping directly on the machine table or a base plate with T-slots.

These eccentric clamping clamps with slot tenon are locked in a T-slot, for example on the machine table, with a thrust screw. Clamping takes place via the clamping screw with eccentric head. The brass basic element ensures gentle and secure clamping.

The eccentric clamping clamps with slot tenon have the following characteristics:

- Brass base element for material-friendly clamping
- Quick clamping thanks to clamping screw with eccentric head
- High clamping force is achieved
- Low design enables the machining of flat workpieces
- The compact dimensions enable space-saving multiple clamping

Material

Eccentric screw

- Steel

Grub Screw

- Steel, blackened

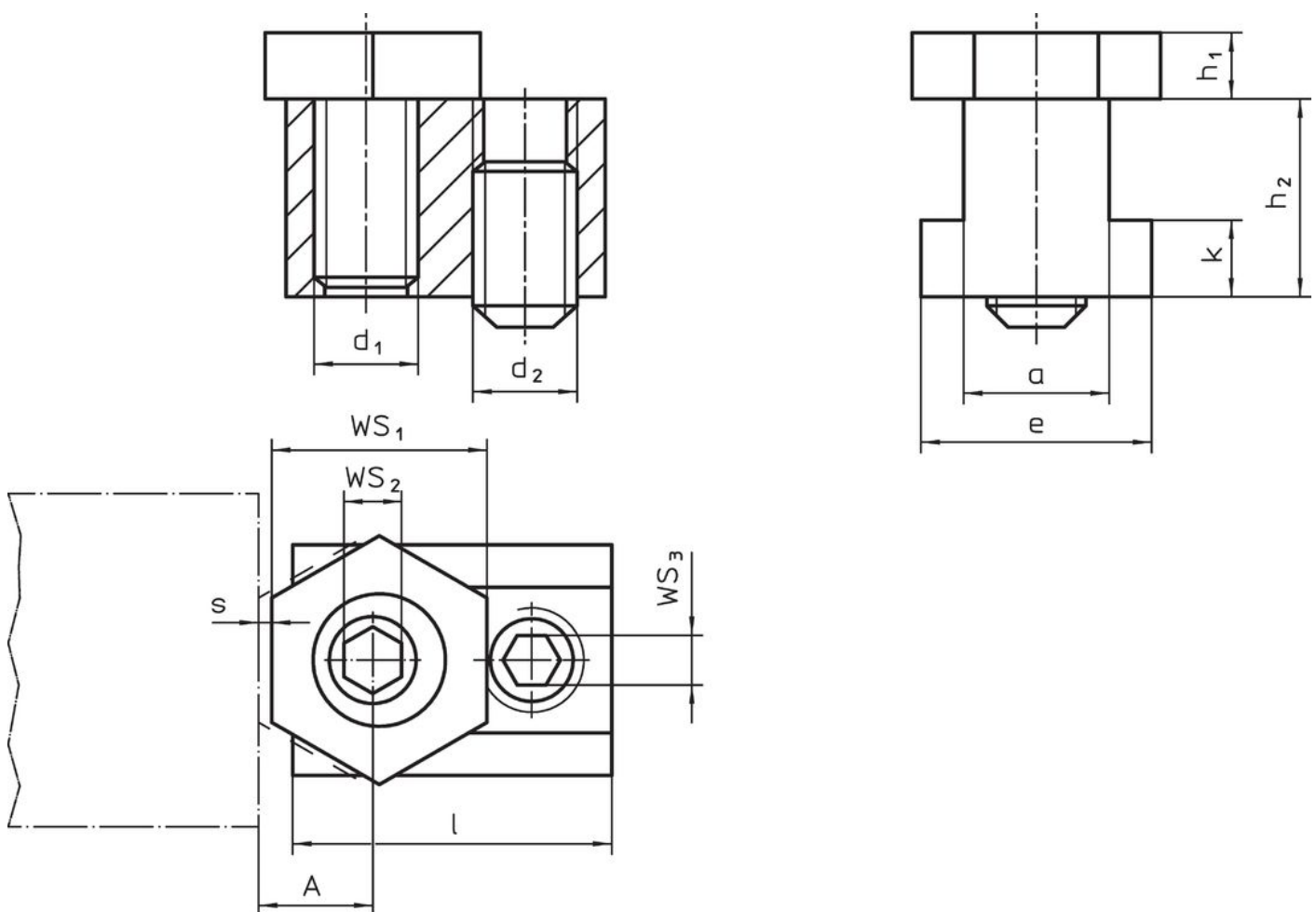
Body

- Brass

Slot tenon

- Steel, hardened, blackened

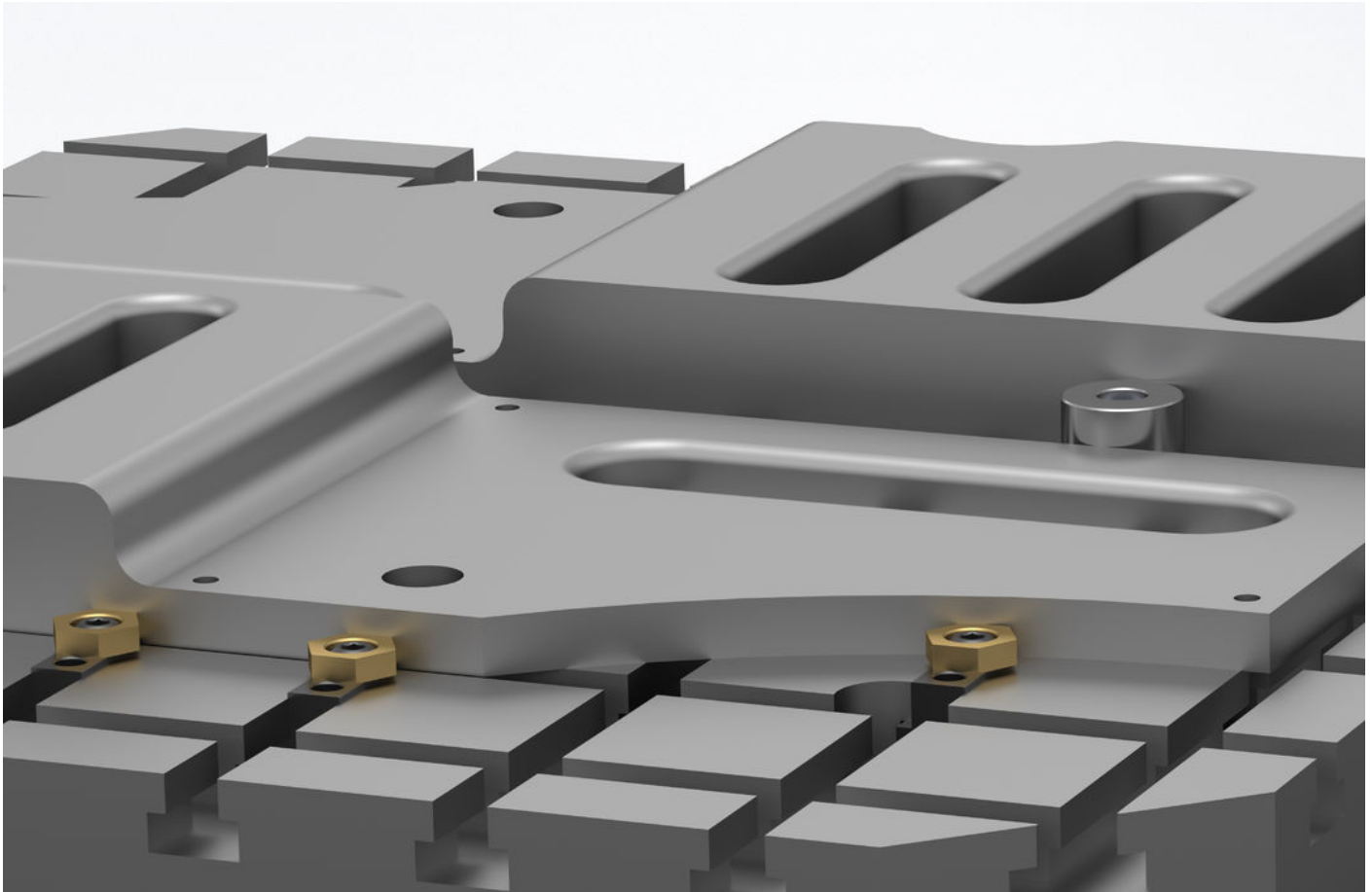
Drawing



Order information

T-slot size	d ₁	a	e	Dimensions					A	WS ₁	WS		Clamping force max.	Tightening torque WS ₂ max.	Tightening torque WS ₃ max.	Art. No.	
				h ₁	h ₂	k	s	l			WS ₂	WS ₃					
[mm]				[mm]					[mm]		[mm]		[kN]	[Nm]	[Nm]	[g]	
14	M10	13.7	22.1	6.4	22.1	8.1	1.3	30.5	10.2	20.6	7	5	7	26	35	100	23270.0414

Application example



Compliance

Compliant according to Directive 2011/65/EU and Directive 2015/863.

No SVHC substances with more than 0.1% w/w contained - SVHC list [REACH] as of 23.01.2024.

No Proposition 65 substances included.
<https://www.P65Warnings.ca.gov/>