

Eccentric Clamping Washers

23270.0212



Product Description

The eccentric clamping washers are especially suitable for the clamping of raw parts, e.g. cut-off portions, cast iron parts and forgings.

Material

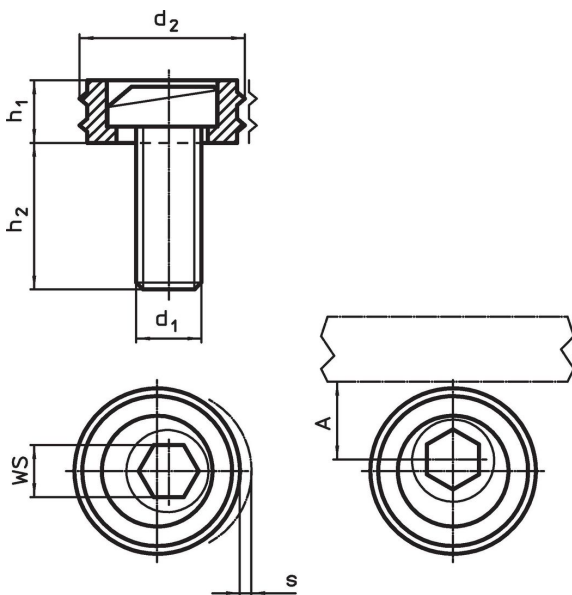
Eccentric screw

- Steel


Body

- Steel, case-hardened

Drawing



Order information

d ₁	d ₂	Dimensions			s	A	WS	Clamping force max.	Tightening torque max.		Art. No.
		h ₁	h ₂	[mm]							
M12	25.4	9.6	22.5	2	12.7	8	17.8	88	41		23270.0212

Application example



Compliance

Compliant according to Directive 2011/65/EU and Directive 2015/863.

No SVHC substances with more than 0.1% w/w contained - SVHC list [REACH] as of 23.01.2024.

No Proposition 65 substances included.
<https://www.P65Warnings.ca.gov/>