

## Manual Handles • for positioning clamping pins

23111.0900



### Product Description

The manual handle enables an easy and fast operation of the positioning clamping pin.

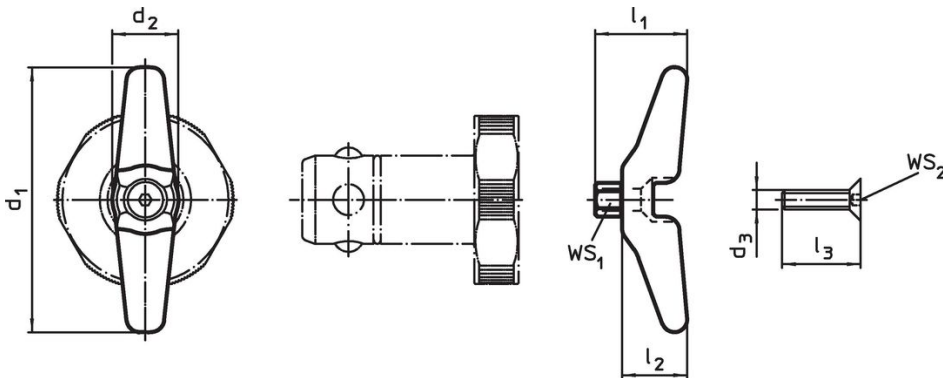
### Material

- Stainless steel

### Assembly

The handle is tightened to the positioning clamping pin with the M 4 screw included in the delivery.

### Drawing



### Order information

For pin Ø [mm]	Dimensions						WS <sub>1</sub> [mm]	WS <sub>2</sub> [mm]	[g]	Art. No.
	d <sub>1</sub>	d <sub>2</sub>	d <sub>3</sub>	l <sub>1</sub>	l <sub>2</sub>	l <sub>3</sub>				
16/20	60	15	M4	20	15	16	6	2.5	48	23111.0900

Application example



Compliance

**RoHS compliant**

Compliant according to Directive 2011/65/EU and Directive 2015/863.

**Does not contain SVHC substances**

No SVHC substances with more than 0.1% w/w contained - SVHC list [REACH] as of 23.01.2024.

**Does not contain Proposition 65 substances**

No Proposition 65 substances included.  
<https://www.P65Warnings.ca.gov/>

**Free from Conflict Minerals**

This product does not contain any substances designated as "conflict minerals" such as tantalum, tin, gold or tungsten from the Democratic Republic of Congo or adjacent countries.