

## Locating Bushings · for positioning clamping pins, for screw fit

23111.0882



### Product Description

These locating bushes for positioning clamping pins are mounted in the counterpart.

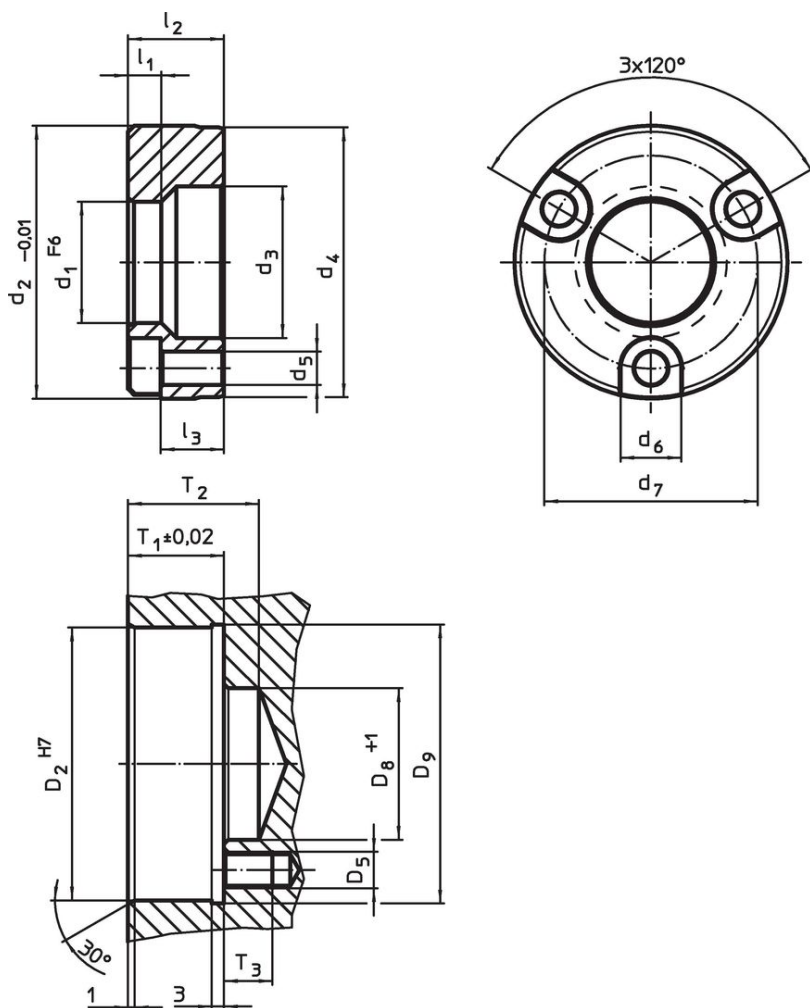
### Material

- Stainless steel 1.4112, hardened

### Assembly

The screw fit locating bushings for positioning clamping pins are inserted in the machine table or in the base plate and are screwed on. Supplied with mounting screws.

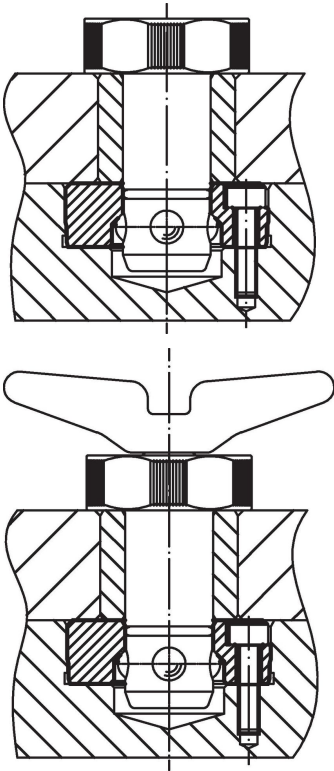
### Drawing



### Order information

Dimensions										Location hole							Art. No.	
$d_1$	$d_2$	$d_3$	$d_4$	$d_5$	$d_6$	$d_7$	$l_1$	$l_2$	$l_3$	$D_2$	$D_5$	$D_8$	$D_9$	$T_1$	$T_2$	$T_3$		[g]
F6	-0.01								~	H7	M4	+1		$\pm 0.02$				
[mm]																		
Stainless steel																		
16	36.99	20	36.5	4.5	8	29	5.25	11.56	7	37	M4	20	38.5	11.91	22	12	73	23111.0882

## Application example



## Compliance

### RoHS compliant

Compliant according to Directive 2011/65/EU and Directive 2015/863.

### Does not contain SVHC substances

No SVHC substances with more than 0.1% w/w contained - SVHC list [REACH] as of 23.01.2024.

### Does not contain Proposition 65 substances

No Proposition 65 substances included.  
<https://www.P65Warnings.ca.gov/>

### Free from Conflict Minerals

This product does not contain any substances designated as "conflict minerals" such as tantalum, tin, gold or tungsten from the Democratic Republic of Congo or adjacent countries.