

## Ball-Ended Thrust Screws • headless, round ball

22720.0386



### Product Description

Ball-ended thrust screws with thermoplastic ball are used for pressure sensitive pieces. Ball-ended thrust screws can also be used for positioning and clamping, tightening or supporting of non-parallel surfaces.

### Material

#### Ball

- Thermoplastic POM, white

#### Screw

- Heat-treated steel, 1200 ±100 N/mm<sup>2</sup>

### More information

#### Notes

Ball not secured against rotating.  
Special types on request.

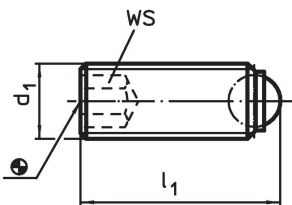
#### References

Thread lock on request, please refer to appendix - Technical Data -

#### Further products

- Ball-Ended Thrust Screws, headless, with fine-pitch thread
- Ball-Ended Thrust Screws, headless, round ball and hexalobular socket

### Drawing

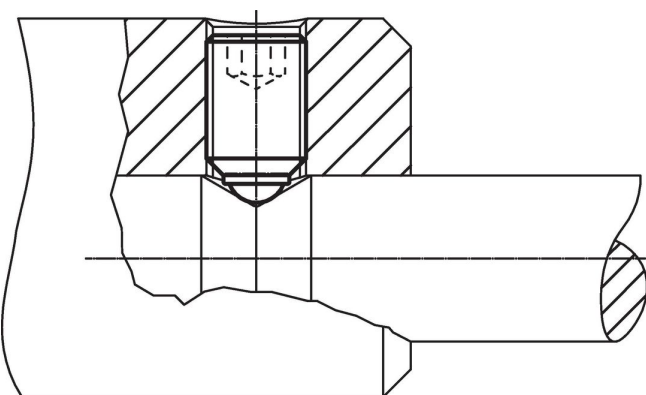


### Order information

Dimensions			WS	Load capacity for static load <sup>1)</sup> max. [kN]	Temperature		Weight [g]	Art. No.
d <sub>1</sub>	l <sub>1</sub> [mm]	Ball diameter			min.	max.		
round ball from thermoplastic, Heat-treated steel								
M8	31.2	5.5	4	1.5	-30	80	7.7	22720.0386

<sup>1)</sup> Statements on load capacity are not valid for the stainless steel type (except the type fitted with thermoplastic balls).

### Application example



## Compliance

### RoHS compliant

Contains lead - compliant according to exceptions 6a / 6b / 6c.

### Contains SVHC substances >0,1% w/w

Contains lead - SVHC list [REACH] as of 23.01.2024.

### Contains Proposition 65 substances



Lead can cause cancer and reproductive harm from exposure  
<https://www.P65Warnings.ca.gov/>

### Free from Conflict Minerals

This product does not contain any substances designated as "conflict minerals" such as tantalum, tin, gold or tungsten from the Democratic Republic of Congo or adjacent countries.