

Locating Pins · with ball end
22630.0325



Product Description

Ball ended locating pins facilitate easy inserting and removing avoiding clamping inclination.

Material

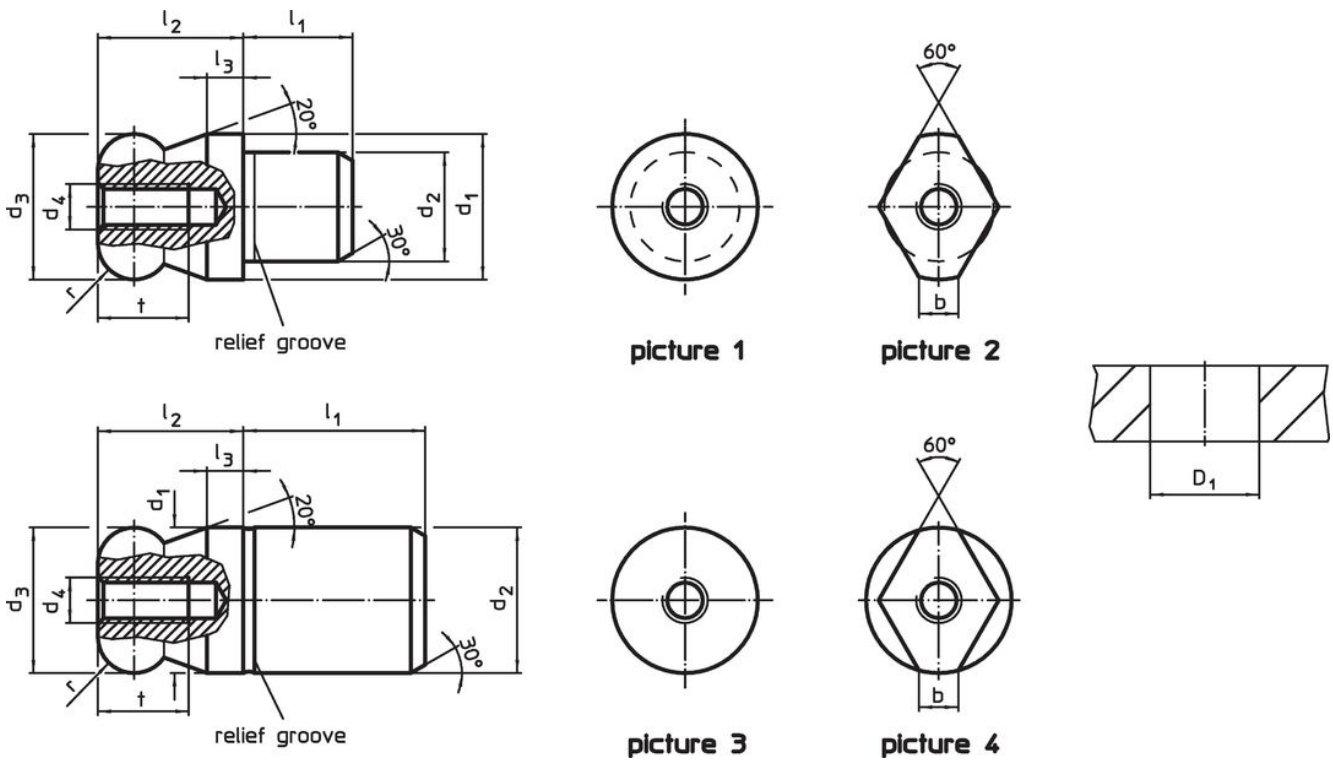
- Tool steel, hardened, blackened and ground

More information

Further products

- Locating Pins, DIN 6321
- Locating Pins, with bore hole similar to DIN 6321

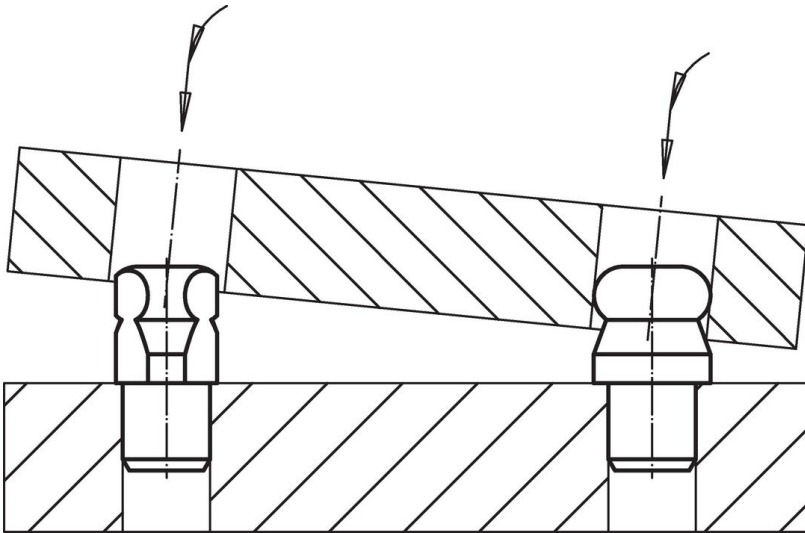
Drawing



Order information

				Dimensions						Location hole		Art. No.
d_1	d_2	d_3	d_4	l_1	l_2	l_3	t	r	D_1	H7	[g]	
g6	n6	-0.01 -0.05		[mm]					[mm]			
ball end round ball – picture 1, Tool steel												
25	18	25	M5	18	25	6	10	6	18		118	22630.0325

Application example



Compliance

RoHS compliant

Compliant according to Directive 2011/65/EU and Directive 2015/863.

Does not contain SVHC substances

No SVHC substances with more than 0.1% w/w contained - SVHC list [REACH] as of 23.01.2024.

Does not contain Proposition 65 substances

No Proposition 65 substances included.
<https://www.P65Warnings.ca.gov/>

Free from Conflict Minerals

This product does not contain any substances designated as "conflict minerals" such as tantalum, tin, gold or tungsten from the Democratic Republic of Congo or adjacent countries.