

## Support Legs 22593.2215



### Product Description

The support legs are universally usable as adjustable legs. The plate is screwed to the threaded pin and nut by a stainless steel fastening screw, and is also glued.

### Material

#### Grub Screw

- Stainless steel 1.4305

#### Lock nut

- Stainless Steel A2, ISO 4032

#### Pad

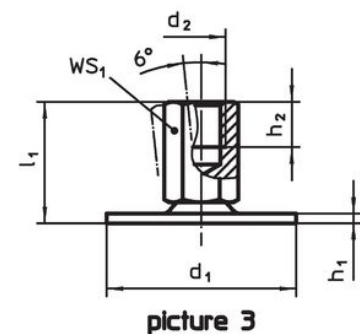
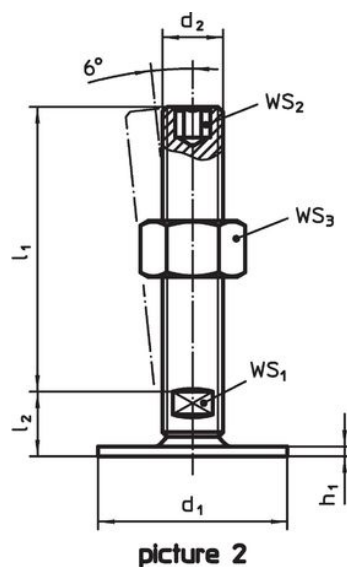
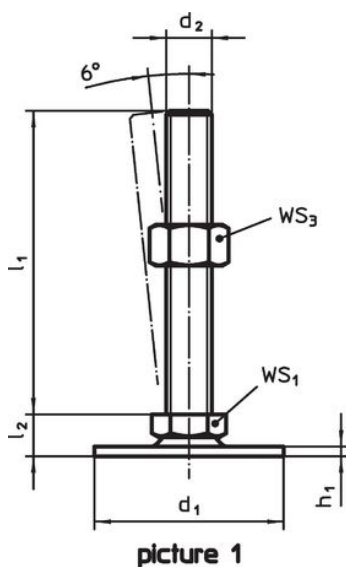
- Stainless steel 1.4301, vibratory ground

### More information


#### Further products

- Support Legs, protected against slipping

### Drawing



**Order information**

| d <sub>1</sub>                                 | d <sub>2</sub> | Dimensions     |                |                | WS <sub>1</sub> | WS <sub>2</sub> | WS <sub>3</sub> |  | Art. No.   |
|--|----------------|----------------|----------------|----------------|-----------------|-----------------|-----------------|---|------------|
|  |                | l <sub>1</sub> | h <sub>1</sub> | l <sub>2</sub> |                 |                 |                 |   |            |
|  |                | [mm]           |                |                | [mm]            | [mm]            | [mm]            | [g]   |            |
| <b>with screw – picture 2, Stainless steel</b> |                |                |                |                |                 |                 |                 |   |            |
| 80   | M20            | 125            | 3              | 19             | 15              | 10              | 30              | 441   | 22593.2215 |

**Compliance**

**RoHS compliant**

Compliant according to Directive 2011/65/EU and Directive 2015/863.

**Does not contain SVHC substances**

No SVHC substances with more than 0.1% w/w contained - SVHC list [REACH] as of 23.01.2024.

**Does not contain Proposition 65 substances**

No Proposition 65 substances included.

<https://www.P65Warnings.ca.gov/>

**Free from Conflict Minerals**

This product does not contain any substances designated as "conflict minerals" such as tantalum, tin, gold or tungsten from the Democratic Republic of Congo or adjacent countries.