

Locating Bushings · for ball lock pins and socket pins

22400.0925



Product Description

This design with holes on the front face (picture 2) is suitable for applications which require installation flush to the surface.

Locating bushings are used for quick and safe locating of ball lock pins EH 22340., EH 22350., EH 22370. and EH 22380. and socket pins EH 22400.

Optimised centering due to precise collar (e.g. quick mounting of plates and components). All versions are corrosion and abrasion resistant.

Material

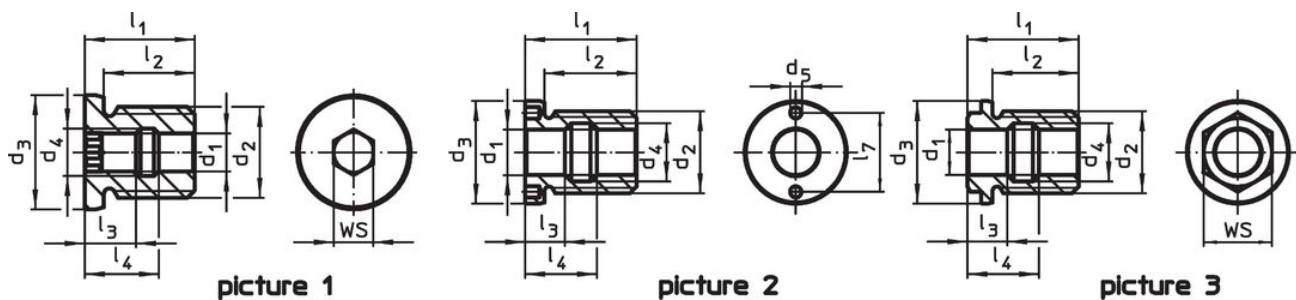
- Stainless steel 1.4305

Assembly

This design with holes on the front face (picture 2) can be installed via a cranked pin face wrench or alternatively via a pin faced socket wrench.

Ensure safe tolerances and consistent function. Easily incorporable into different materials. Can be used in thin-walled pieces. Application from both sides.



Drawing



Order information

Dimensions													[g]	Art. No.	
d ₁	d ₂	d ₃	d ₄	d ₅	l ₁	l ₂	l ₃	l ₄	l ₅	l ₆	l ₇				
H11		h9		+0.1											
[mm]															
plain, with face hole – picture 2															
16	M30	39	19.5	5.1	39	33	15.5	23.5	10.4	16.6	30	248	22400.0925		

Accessories

	Suitable for size d ₁ [mm]	For finish picture	Pin spacing ±0.1 [mm]	Pin diameter -0.1 [mm]	Square drive [in]	[g]	Art. No.
adjustable face wrench, offset							
	10/12/16/20/25	2	–	5		309	22350.1991
face wrench (socket wrench insert)							
	16/20	2	30	5	1/2	243	22350.1998

Application example



Compliance

RoHS compliant

Compliant according to Directive 2011/65/EU and Directive 2015/863.

Does not contain SVHC substances

No SVHC substances with more than 0.1% w/w contained - SVHC list [REACH] as of 23.01.2024.

Does not contain Proposition 65 substances

No Proposition 65 substances included.
<https://www.P65Warnings.ca.gov/>

Free from Conflict Minerals

This product does not contain any substances designated as "conflict minerals" such as tantalum, tin, gold or tungsten from the Democratic Republic of Congo or adjacent countries.