

## Locating Bushings, plain • for lifting pins

22350.1920



### Product Description

Locating bushings are used for quick and safe locating of lifting pins EH 22350 / EH 22351. This design is suitable for applications which require installation flush to the surface. A face wrench is required for installation. As an accessory, we offer a standard adjustable face wrench, offset, and a face and socket wrench. In combination with a socket-wrench/screwdriver, the face and socket wrench is especially suitable for use if space is restricted. Corrosion and abrasion resistant.

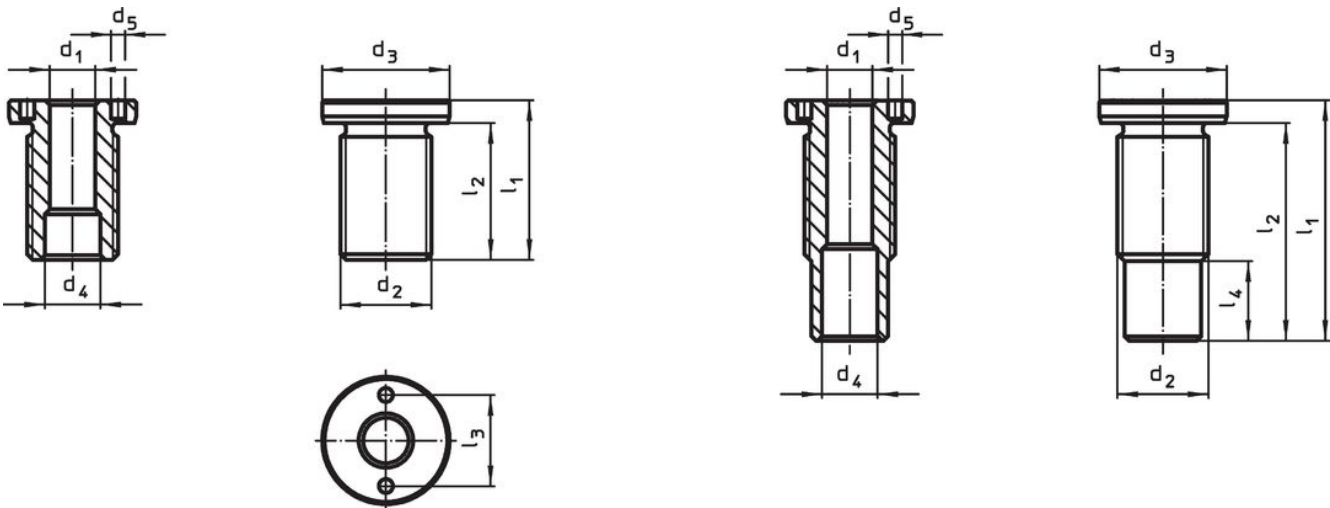
### Material

- Stainless steel 1.4542, precipitation-hardened

### Assembly

Safe tolerances and consistent function. Easily incorporated into different materials. Bush can be easily installed via optional assembly tool. Can be mounted in blind holes. For thin-walled parts, lock nuts are used for assembly.

### Drawing






size M16/M16x1,5/M20  
M20x1,5/M24x1,5/M30x2

size M24/M30/M36x2

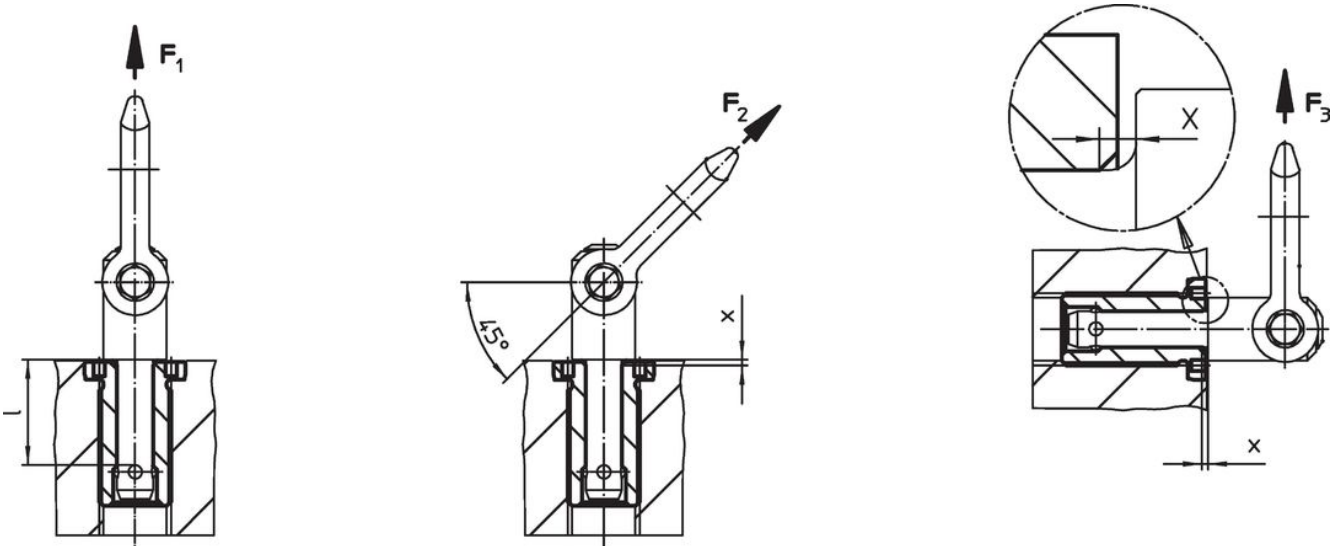
### Order information

| Dimensions     |                | For nominal length | Dimensions     |                |                |                |                | Tightening torque max. | x    | Load capacity  |                |                | For lifting pin | Art. No.           |                |            |
|----------------|----------------|--------------------|----------------|----------------|----------------|----------------|----------------|------------------------|------|----------------|----------------|----------------|-----------------|--------------------|----------------|------------|
| d <sub>1</sub> | d <sub>2</sub> |                    | d <sub>3</sub> | d <sub>4</sub> | d <sub>5</sub> | l <sub>1</sub> | l <sub>2</sub> |                        |      | l <sub>3</sub> | F <sub>1</sub> | F <sub>2</sub> |                 |                    | F <sub>3</sub> |            |
| H11            | [mm]           | [mm]               | -0.2           | +0.3           | +0.1           | [mm]           |                |                        | [Nm] | [mm]           | [kN]           |                | [g]             |                    |                |            |
| 12             | M24 x 1,5      | 15                 | 32             | 14.7           | 5.1            | 32             | 26             | 22                     | 150  | 1.5            | 3.5            | 3.2            | 2.8             | 22350.0631 / .0731 | 80             | 22350.1920 |

Accessories

|   | Suitable for size<br>$d_1$<br>[mm] | Pin spacing<br>$\pm 0.1$<br>[mm] | Pin diameter<br>$-0.1$<br>[mm] | Square drive<br>[in] |  [g] | Art. No.   |
|---|------------------------------------|----------------------------------|--------------------------------|----------------------|---|------------|
| <b>adjustable face wrench, offset</b>   |                                    |                                  |                                |                      |   |            |
|  | 10/12/16/20/25                     | -                                | 5                              |                      | 309   | 22350.1991 |
| <b>face wrench (socket wrench insert)</b>   |                                    |                                  |                                |                      |   |            |
|  | 12                                 | 22                               | 5                              | 1/2                  | 185   | 22350.1997 |

Application example



Compliance

**RoHS compliant**

Compliant according to Directive 2011/65/EU and Directive 2015/863.

**Does not contain SVHC substances**

No SVHC substances with more than 0.1% w/w contained - SVHC list [REACH] as of 23.01.2024.

**Does not contain Proposition 65 substances**

No Proposition 65 substances included.

<https://www.P65Warnings.ca.gov/>

**Free from Conflict Minerals**

This product does not contain any substances designated as "conflict minerals" such as tantalum, tin, gold or tungsten from the Democratic Republic of Congo or adjacent countries.