

## Lateral Plungers • smooth, without seal, with female thread

22150.1027



### Product Description

To be used for positioning and applying pressure, e.g. during painting and sandblasting.

#### Material

##### Body

- Aluminium Al

##### Threaded washer

- Steel, blackened

##### Spring

- Steel, zinc-plated by galvanization

#### Assembly

Formula for calculating the center distance for the mounting hole:

$$l_0 = z/2 + w + x,$$

$l_0$  = center distance,

$y$  = workpiece height,

$w$  = workpiece length,

$x$  = stroke,

$z$  = stop diameter

Calculation dimension  $x$  for workpieces:

$$x = d_2/2 - s$$

Installation by pressing in.

#### Characteristic

Version heavy spring load = spring from steel, zinc-plated by galvanization

#### More information

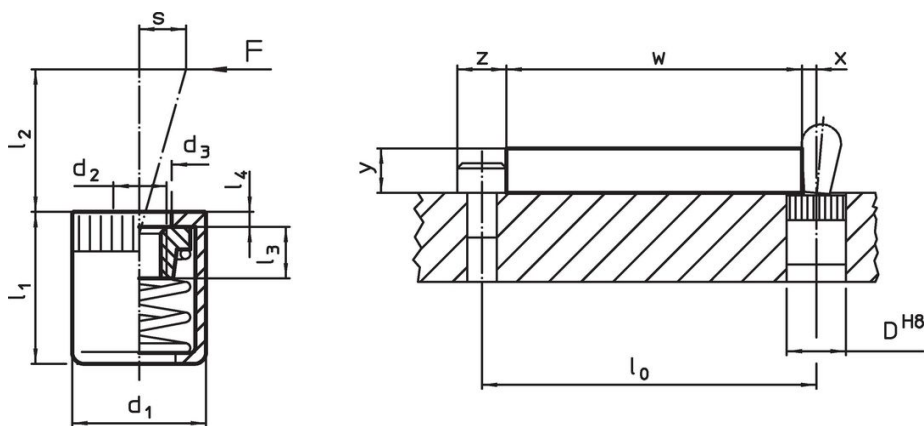
#### Notes

Individual set screws can be screwed in the plate with threaded hole.

#### Further products

- Eccentric Mounting Bushings, for lateral plungers, smooth

### Drawing





### Order information

| Dimensions               |                | Spring load<br>F<br>max. <sup>1)</sup><br>~<br>[N] | d <sub>3</sub> | Dimensions           |                |                |                |   | Stroke<br>s<br>[mm] | Location<br>hole<br>D<br>H8<br>[mm] | max.<br>[°C] | [g]        | Art. No. |
|--------------------------|----------------|----------------------------------------------------|----------------|----------------------|----------------|----------------|----------------|---|---------------------|-------------------------------------|--------------|------------|----------|
| d <sub>1</sub>           | d <sub>2</sub> |                                                    |                | l <sub>1</sub><br>-1 | l <sub>2</sub> | l <sub>3</sub> | l <sub>4</sub> |   |                     |                                     |              |            |          |
| [mm]                     |                |                                                    |                | [mm]                 |                |                |                |   |                     |                                     |              |            |          |
| <b>Heavy spring load</b> |                |                                                    |                |                      |                |                |                |   |                     |                                     |              |            |          |
| 10                       | M4             | 100                                                | 6.3            | 11                   | 10.7           | 4.5            | 1.2            | 1 | 10                  | 250                                 | 2.5          | 22150.1027 |          |

<sup>1)</sup> statistical average value

**Accessories**

|                                                                                   | Dimensions<br>d <sub>1</sub><br>[mm] | <br>[g] | Art. No.   |
|-----------------------------------------------------------------------------------|--------------------------------------|--------------------------------------------------------------------------------------------|------------|
| <b>assembly tool</b>                                                              |                                      |                                                                                            |            |
|  | 10                                   | 49                                                                                         | 22150.0831 |

**Compliance**

**RoHS compliant**

Compliant according to Directive 2011/65/EU and Directive 2015/863.

**Does not contain SVHC substances**

No SVHC substances with more than 0.1% w/w contained - SVHC list [REACH] as of 23.01.2024.

**Does not contain Proposition 65 substances**

No Proposition 65 substances included.

<https://www.P65Warnings.ca.gov/>

**Free from Conflict Minerals**

This product does not contain any substances designated as "conflict minerals" such as tantalum, tin, gold or tungsten from the Democratic Republic of Congo or adjacent countries.