

## Lateral Plungers · with thread, with seal

22150.0411



### Product Description

To be used for positioning and applying pressure, e.g. during painting and sandblasting. Sealed against chips and dirt.

#### Material

##### Seal

- CR

##### Body

- Steel, zinc-plated by galvanization

##### Spring

- Steel, blackened

##### Pin

- Steel, case-hardened, zinc-plated by galvanization

#### Assembly

Lateral plungers are installed by screwing in by means of a mounting tool.

Formula for calculating the center distance for the mounting hole:

$$l_0 = z/2 + w + x,$$

$l_0$  = center distance,

$y$  = workpiece height,

$w$  = workpiece length,

$x$  = coordinate dimension,

$s$  = stroke,

$z$  = stop diameter

Calculation dimension  $x$ :

$y$  greater than or equal to  $l_2 - d_2/2$ ,

then  $x = d_2/2 - s$

or

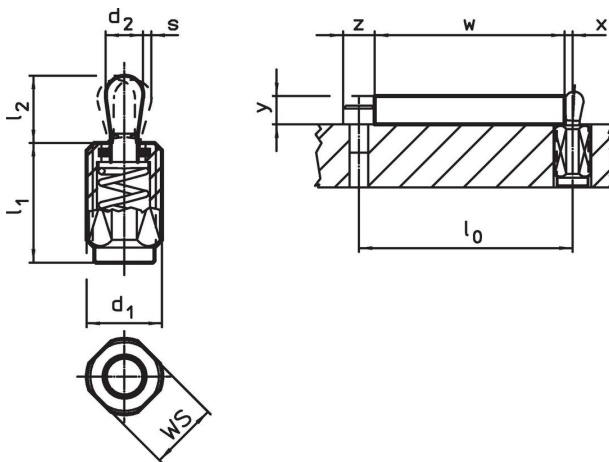
$y$  smaller than  $l_2 - d_2/2$ ,

then  $x = d_2/2 - s - [(l_2 - d_2/2 - y) * 0,123]$


#### Characteristic

Version standard spring load = spring from steel, blackened

### Drawing





**Order information**

d <sub>1</sub>	Dimensions		Spring load F max. <sup>2)</sup> ~ [N]	d <sub>2</sub>	l <sub>2</sub>	Stroke s [mm]	WS [mm]	x <sup>1)</sup> [mm]	max. [°C]		Art. No.
	l <sub>1</sub> -2 [mm]										
<b>Pin: Steel/Standard spring load</b>											
M12	11.5		50	5	6	0.8	10	1.7	110	4.1	22150.0411

<sup>1)</sup> If the workpiece height (y) is less than l<sub>2</sub>-d<sub>2</sub>/2, the coordinate dimension (x) must be calculated.

<sup>2)</sup> statistical average value

**Accessories**

	Dimensions d <sub>1</sub> [mm]		Art. No.
<b>assembly tool</b>			
	M12	76	22150.0820

**Application example**



**Compliance**

**RoHS compliant**

Contains lead - compliant according to exceptions 6a / 6b / 6c.

**Contains SVHC substances >0,1% w/w**

Contains lead - SVHC list [REACH] as of 23.01.2024.

**Contains Proposition 65 substances**



Lead can cause cancer and reproductive harm from exposure  
<https://www.P65Warnings.ca.gov/>

**Free from Conflict Minerals**

This product does not contain any substances designated as "conflict minerals" such as tantalum, tin, gold or tungsten from the Democratic Republic of Congo or adjacent countries.