

Lateral Plungers • with plastic spring and pin  
22150.0217



**Product Description**

To be used for positioning and applying pressure, e.g. during painting and sandblasting.

**Material**

- Spring**
- plastic
- Pin**
- Stainless steel

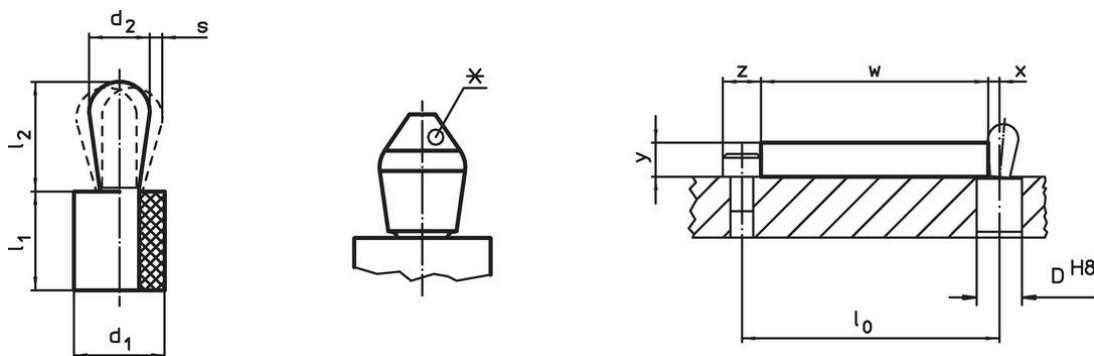
**Assembly**

It is recommended to moisten the body.  
Installation by pressing in.  
Formula for calculating the center distance for the mounting hole:  
 $l_0 = z/2 + w + x$ ,  
 $l_0$  = center distance,  
 $y$  = workpiece height,  
 $w$  = workpiece length,  
 $x$  = coordinate dimension,  
 $s$  = stroke,  
 $z$  = stop diameter  
Calculation dimension  $x$ :  
 $y$  greater than or equal to  $l_2 - d_2/2$ ,  
then  $x = d_2/2 - s$   
or  
 $y$  smaller than  $l_2 - d_2/2$ ,  
then  $x = d_2/2 - s - [(l_2 - d_2/2 - y) * 0,123]$

**Characteristic**

Version light spring load = blue spring

**Drawing**



\*some sizes (see chart) have a deviating pin shape



**Order information**

Dimensions		Spring load F max. <sup>1)</sup> ~ [N]	Dimensions		Stroke s [mm]	Location hole D H8 [mm]	$x^{2)}$ [mm]	max. [°C]	[g]	Art. No.
d <sub>1</sub>	d <sub>2</sub>		l <sub>1</sub>	l <sub>2</sub>						
[mm]	[mm]		[mm]	±0.5						
8	4	15	9	5.2	0.3	7.9	1.4	100	1.2	22150.0217

<sup>1)</sup> statistical average value

<sup>2)</sup> If the workpiece height (y) is less than  $l_2 - d_2/2$ , the coordinate dimension (x) must be calculated.

**Accessories**

	Dimensions d <sub>1</sub> [mm]	 [g]	Art. No.
<b>assembly tool</b>			
	8	47	22150.0841

**Compliance**

**RoHS compliant**

Compliant according to Directive 2011/65/EU and Directive 2015/863.

**Does not contain SVHC substances**

No SVHC substances with more than 0.1% w/w contained - SVHC list [REACH] as of 23.01.2024.

**Does not contain Proposition 65 substances**

No Proposition 65 substances included.

<https://www.P65Warnings.ca.gov/>

**Free from Conflict Minerals**

This product does not contain any substances designated as "conflict minerals" such as tantalum, tin, gold or tungsten from the Democratic Republic of Congo or adjacent countries.