

## Lateral Plungers • smooth, without seal

22150.0027



### Product Description

To be used for positioning and applying pressure, e.g. during painting and sandblasting.

#### Material

##### Body

- Aluminium Al

##### Spring

- Steel, zinc-plated by galvanization

##### Pin

- Steel, case-hardened, zinc-plated by galvanization

#### Assembly

Installation by pressing in.

Formula for calculating the center distance for the mounting hole:

$$l_0 = z/2 + w + x,$$

$l_0$  = center distance,

$y$  = workpiece height,

$w$  = workpiece length,

$x$  = coordinate dimension,

$s$  = stroke,

$z$  = stop diameter

Calculation dimension  $x$ :

$y$  greater than or equal to  $l_2 - d_2/2$ ,

then  $x = d_2/2 - s$

or

$y$  smaller than  $l_2 - d_2/2$ ,

then  $x = d_2/2 - s - [(l_2 - d_2/2 - y) * 0,123]$

#### Characteristic

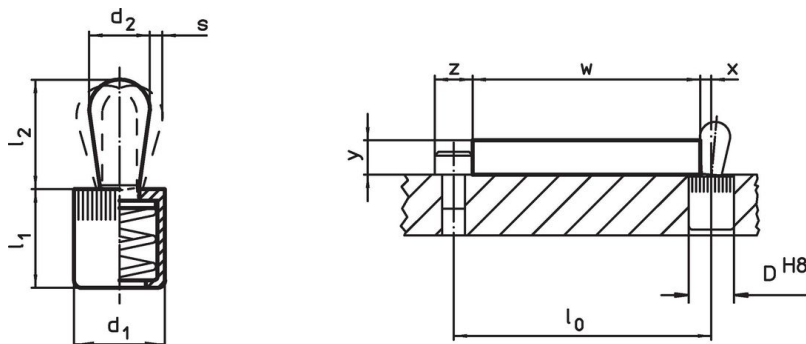
Version heavy spring load = spring from steel, zinc-plated by galvanization

#### More information

#### Further products

- Eccentric Mounting Bushings, for lateral plungers, smooth

### Drawing





### Order information

Dimensions		Spring load F max. <sup>1)</sup> ~ [N]	Dimensions		Stroke s [mm]	Location hole D H8 [mm]	$x^{2)}$ [mm]	max. [°C]	[g]	Art. No.
$d_1$ [mm]	$d_2$ [mm]		$l_1$ -1 [mm]	$l_2$ $\pm 0.5$ [mm]						
10	6	100	11	10.7	1	10	1.9	250	3.9	22150.0027

<sup>1)</sup> statistical average value

<sup>2)</sup> If the workpiece height ( $y$ ) is less than  $l_2 - d_2/2$ , the coordinate dimension ( $x$ ) must be calculated.

Accessories

	Dimensions d <sub>1</sub> [mm]	 [g]	Art. No.
<b>assembly tool</b>			
	10	49	22150.0831

Application example



Compliance

**RoHS compliant**

Contains lead - compliant according to exceptions 6a / 6b / 6c.

**Contains SVHC substances >0,1% w/w**

Contains lead - SVHC list [REACH] as of 23.01.2024.

**Contains Proposition 65 substances**



Lead can cause cancer and reproductive harm from exposure  
<https://www.P65Warnings.ca.gov/>

**Free from Conflict Minerals**

This product does not contain any substances designated as "conflict minerals" such as tantalum, tin, gold or tungsten from the Democratic Republic of Congo or adjacent countries.