

## Index Bolts • simple finish

22121.0110



### Product Description

Index bolts are used for indexing purposes. Application limited for cases in which no precise positioning is needed. The high stroke of the pin enables for a variety of applications, e.g. as door bolt. Simple version in compact design.

### Material

#### Body

- Free cutting steel, zinc-plated by galvanization

#### Locking pin

- Steel, zinc-plated by galvanization

#### Lock nut

- Steel, zinc-plated by galvanization

### Operation

By lifting the index bolt the locking pin will be pulled in. The turning of the index bolt positions the pin when it is pulled in.

### More information

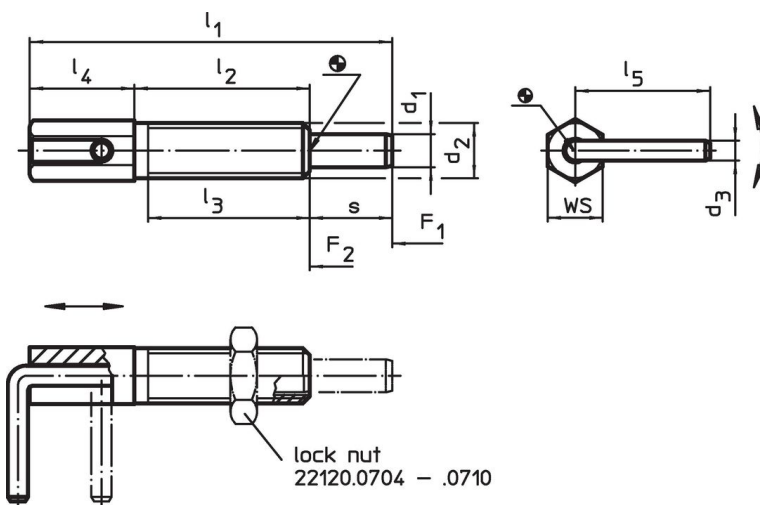
### Notes

Lock nuts have to be purchased separately.

### Further products

- Locating Bushings, for index bolts and index plungers

### Drawing





### Order information

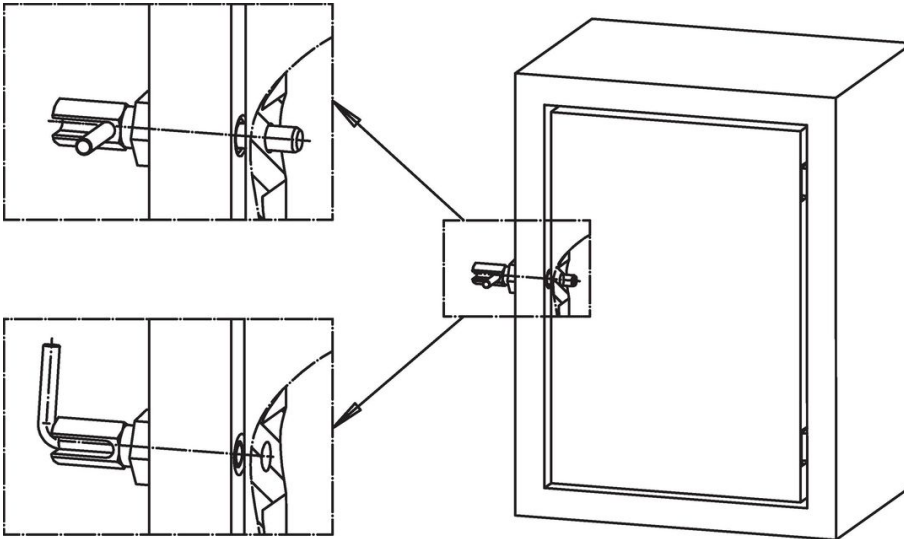
Dimensions									WS	Spring load <sup>1)</sup>		Tightening torque max.	max.		Art. No.
d <sub>1</sub>	d <sub>2</sub>	d <sub>3</sub>	l <sub>1</sub>	l <sub>2</sub>	l <sub>3</sub>	l <sub>4</sub>	l <sub>5</sub>	s		F <sub>1</sub>	F <sub>2</sub>				
[mm]									[mm]	[N]		[Nm]	[°C]	[g]	
5	M8	3	54	27	24	15	19.2	12	8	3.5	13.5	4.5	250	14	22121.0110

<sup>1)</sup> statistical average value

### Accessories

	Dimensions d <sub>2</sub> [mm]	Wrench size [mm]	 [g]	Art. No.
<b>Steel</b>				
	M 8	13	2.8	22120.0705

### Application example



### Compliance

#### RoHS compliant

Contains lead - compliant according to exceptions 6a / 6b / 6c.

#### Contains SVHC substances >0,1% w/w

Contains lead - SVHC list [REACH] as of 23.01.2024.

#### Contains Proposition 65 substances



Lead can cause cancer and reproductive harm from exposure  
<https://www.P65Warnings.ca.gov/>

#### Free from Conflict Minerals

This product does not contain any substances designated as "conflict minerals" such as tantalum, tin, gold or tungsten from the Democratic Republic of Congo or adjacent countries.