

**Index Plungers · with hexagon collar, stainless steel A4**  
22120.1074



**Product Description**

Index plungers are used for indexing bores.  
The stainless steel A4 version ensures maximum corrosion resistance.

**Material**

**Body**

- Stainless steel 1.4401

**Locking pin**

- Stainless steel 1.4401 nickel-plated

**Knob**

- Stainless steel 1.4401

**Lock nut**

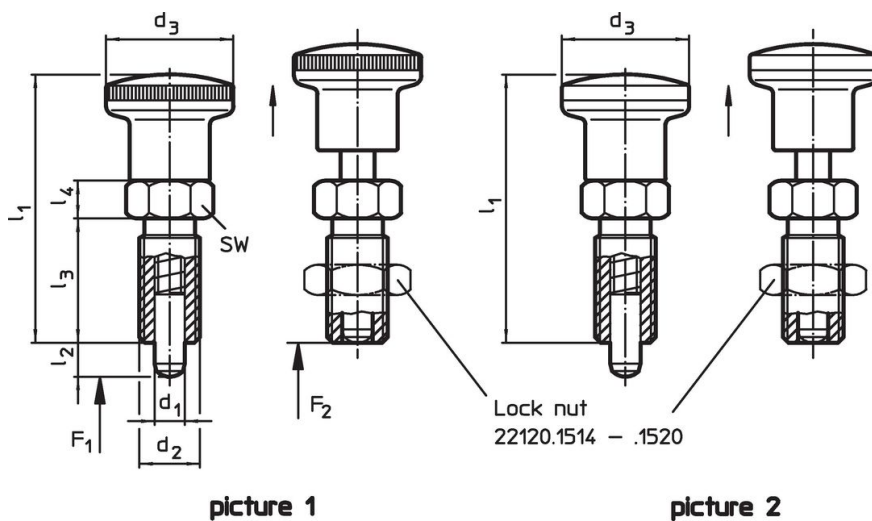
- Stainless steel 1.4401

**More information**

**Notes**

Knob not removable.  
Lock nuts have to be purchased separately.

**Drawing**




## Order information

| Dimensions  |                |                        |                |                |                |                | Spring load <sup>1)</sup> |                     | max. |     | Art. No.   |
|---|----------------|------------------------|----------------|----------------|----------------|----------------|---------------------------|---------------------|------|-----|------------|
| d <sub>1</sub>                                    | d <sub>2</sub> | l <sub>2</sub><br>min. | d <sub>3</sub> | l <sub>1</sub> | l <sub>3</sub> | l <sub>4</sub> | F <sub>1</sub><br>~       | F <sub>2</sub><br>~ | °C   | [g] |            |
| [mm]  |                |                        |                |                |                |                | [N]                       |                     | [°C] | [g] |            |
| <b>with knob from stainless steel – picture 2</b> |                |                        |                |                |                |                |                           |                     |      |     |            |
| 4   | M8 x 1         | 6                      | 16             | 35             | 16             | 5              | 3                         | 11                  | 100  | 20  | 22120.1074 |

<sup>1)</sup> statistical average value

## Accessories

|  | Dimensions<br>d <sub>2</sub><br>[mm] | Wrench size<br>[mm] |     | Art. No.   |
|--|--------------------------------------|---------------------|-----|------------|
| <b>Lock nuts ISO 8675 (DIN 439), Stainless steel 1.4401</b>                      |                                      |                     |     |            |
|  | M 8 x 1                              | 13                  | 2.8 | 22120.1514 |

## Compliance

### RoHS compliant

Compliant according to Directive 2011/65/EU and Directive 2015/863.

### Does not contain SVHC substances

No SVHC substances with more than 0.1% w/w contained - SVHC list [REACH] as of 23.01.2024.

### Does not contain Proposition 65 substances

No Proposition 65 substances included.

<https://www.P65Warnings.ca.gov/>

### Free from Conflict Minerals