

Index Plungers • threadless, weldable

22120.0826



Product Description

Index plungers are used for indexing bores.

Material

Body

- Steel, blackened, weldable

Locking pin

- Steel, hardened

Assembly

Attached by welding or gluing.

More information

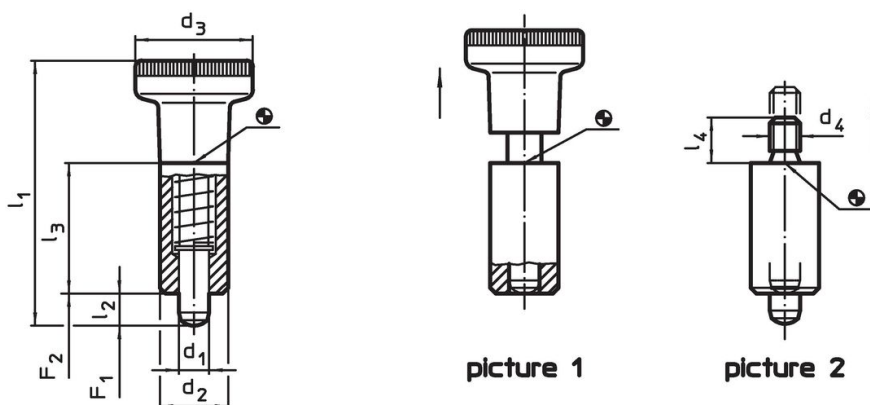
Notes

Knob not removable.

Further products

- Locating Bushings, for index bolts and index plungers

Drawing



Order information

Dimensions						Spring load ¹⁾		max.		Art. No.
d ₁	d ₂	d ₄	l ₂ min.	l ₃	l ₄	F ₁	F ₂	[°C]	[g]	
-0.02 -0.05	h9					~	~			
[mm]						[N]		[°C]	[g]	
without knob – picture 2										
6	14	M6	6	26	10	6.5	15	250	32	22120.0826

¹⁾ statistical average value

Application example



Compliance

RoHS compliant

Contains lead - compliant according to exceptions 6a / 6b / 6c.

Contains SVHC substances >0,1% w/w

Contains lead - SVHC list [REACH] as of 23.01.2024.

Contains Proposition 65 substances



Lead can cause cancer and reproductive harm from exposure
<https://www.P65Warnings.ca.gov/>

Free from Conflict Minerals

This product does not contain any substances designated as "conflict minerals" such as tantalum, tin, gold or tungsten from the Democratic Republic of Congo or adjacent countries.