

Index Plungers • simple finish

22120.0766



**Product Description**

Application is limited to cases not requiring a precise positioning.  
Simple finish with very small dimensions.

**Material**

**Body**

- Steel, zinc-plated by galvanization

**Locking pin**

- Stainless steel 1.4305

**Knob**

- Thermoplastic PA 6, black, dull

**Operation**

When using locking index plungers, the knob is pulled-out, turned 90° and secured by a notched catch (when locking pin should not overhang).

**More information**

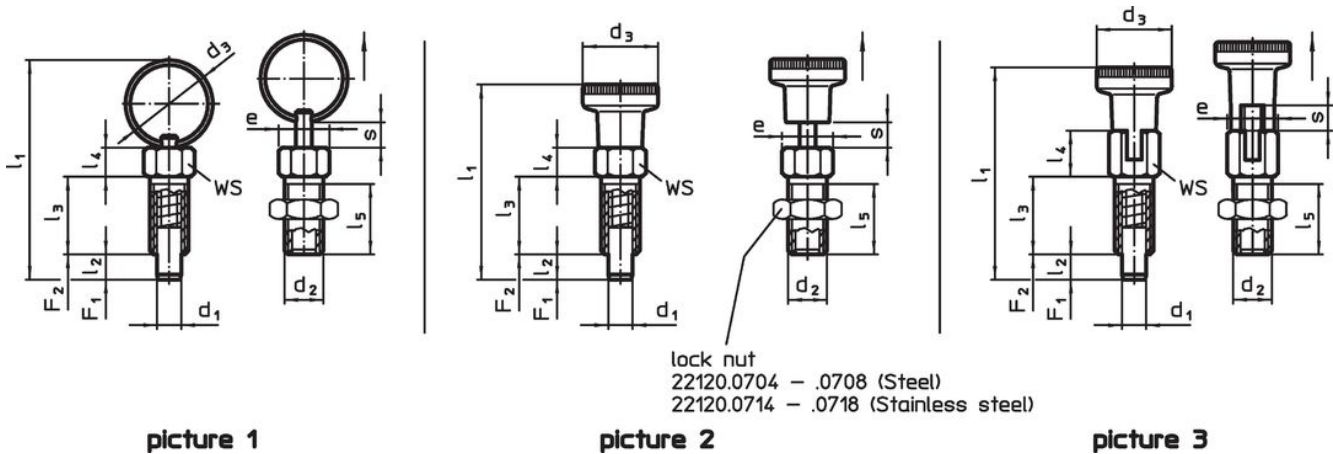
**Notes**

Lock nuts have to be purchased separately.  
Knob not removable.

**Further products**

- Locating Bushings, for index bolts and index plungers

**Drawing**




Order information

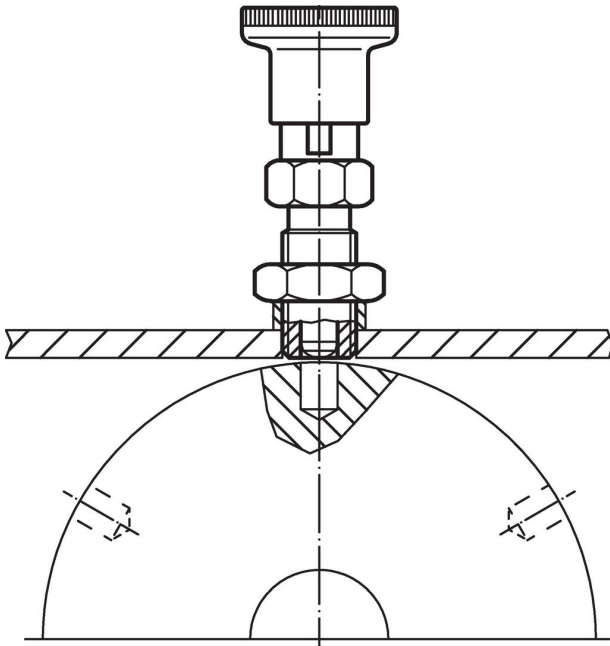
Dimensions										WS [mm]	Tightening torque max. [Nm]	Spring load <sup>1)</sup> [N]		Temperature min. max. [°C]		Weight [g]	Art. No.	
d <sub>1</sub>	d <sub>2</sub>	d <sub>3</sub>	e	l <sub>1</sub>	l <sub>2</sub> min.	l <sub>3</sub>	l <sub>4</sub>	l <sub>5</sub>	s min.			F <sub>1</sub> ~	F <sub>2</sub> ~	min.	max.			
-0.05																		
with knob and locking – picture 3, Steel																		
6	M10	18	11.5	52	6	20	10.5	17	6	10	15	5	21	-30	80	18	22120.0766	

<sup>1)</sup> statistical average value

Accessories

	Dimensions d <sub>2</sub> [mm]	Wrench size [mm]	Weight [g]	Art. No.
Steel				
	M10	16	5.3	22120.0706

Application example



Compliance

RoHS compliant

Contains lead - compliant according to exceptions 6a / 6b / 6c.

Contains SVHC substances >0,1% w/w

Contains lead - SVHC list [REACH] as of 23.01.2024.

Contains Proposition 65 substances



Lead can cause cancer and reproductive harm from exposure  
<https://www.P65Warnings.ca.gov/>

Free from Conflict Minerals

This product does not contain any substances designated as "conflict minerals" such as tantalum, tin, gold or tungsten from the Democratic Republic of Congo or adjacent countries.