

## Index Plungers · with hexagon collar and locking, stainless steel

22120.0616



### Product Description

Index plungers are used for indexing bores.

#### Material

##### Body

- Stainless steel 1.4305

##### Locking pin

- Stainless steel 1.4305, nickel-plated

##### Knob

- Stainless steel 1.4305

#### Assembly

The screw length can be adapted by distance collars for index plungers (EH 22120.).

#### Operation

The knob is pulled-out, turned 90° and secured by a notched catch (when locking pin should not overhang).

#### More information

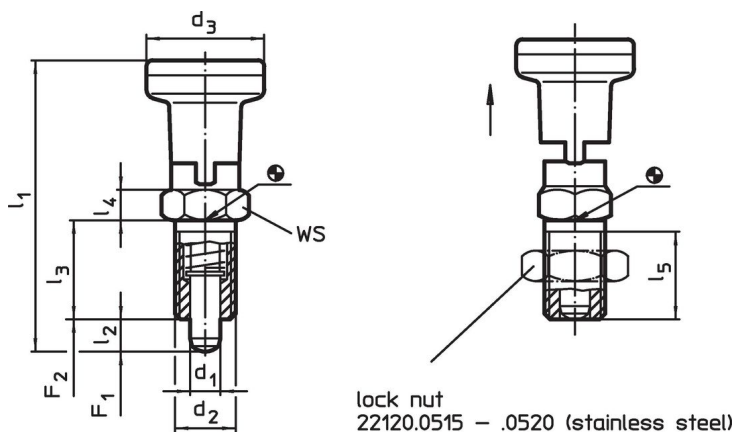
#### Notes

Knob not removable.  
Lock nuts have to be purchased separately.

#### Further products

- Mounting Blocks, for index bolts and index plungers, die-cast
- Distance Collars, for index plungers

### Drawing





### Order information

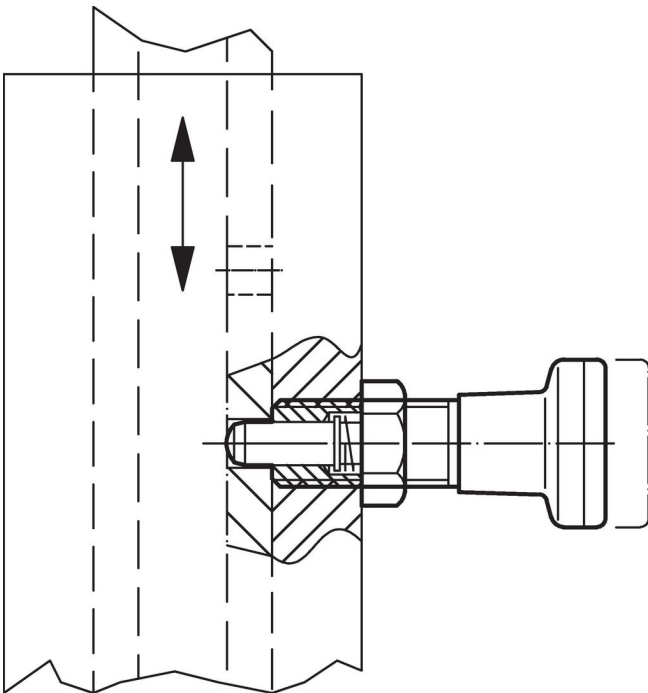
Dimensions								WS	Spring load <sup>1)</sup>		max.	[g]	Art. No.
d <sub>1</sub>	d <sub>2</sub>	d <sub>3</sub>	l <sub>1</sub> ~	l <sub>2</sub> min.	l <sub>3</sub>	l <sub>4</sub>	l <sub>5</sub> min.		F <sub>1</sub> ~	F <sub>2</sub> ~			
[mm]								[mm]	[N]		[°C]		
Stainless steel													
6	M12 x 1,5	25	61	6	20	6	17	14	6.5	19	250	71	22120.0616

<sup>1)</sup> statistical average value

Accessories

	Dimensions d <sub>2</sub> [mm]	Wrench size [mm]	 [g]	Art. No.
<b>Lock nuts ISO 8675 (DIN 439), Stainless steel</b>				
	M12 x 1,5	18	7.5	22120.0516

Application example



Compliance

**RoHS compliant**

Compliant according to Directive 2011/65/EU and Directive 2015/863.

**Does not contain SVHC substances**

No SVHC substances with more than 0.1% w/w contained - SVHC list [REACH] as of 23.01.2024.

**Does not contain Proposition 65 substances**

No Proposition 65 substances included.  
<https://www.P65Warnings.ca.gov/>

**Free from Conflict Minerals**

This product does not contain any substances designated as "conflict minerals" such as tantalum, tin, gold or tungsten from the Democratic Republic of Congo or adjacent countries.