

## Index Bolts

22120.0364



### Product Description

Index bolts are used for indexing purposes. Plastic cover for grip allows better handling.

#### Material

##### Body

- Stainless steel 1.4305

##### Locking pin

- Stainless steel 1.4305, nickel-plated

##### Catch

- Dry powdered metal 1.4404

##### Plastic cap

- Thermoplastic, black, dull

#### Operation

By turning the index bolt 180° the locking pin will be pulled-in and secured by a notched catch (when locking pin should not overhang).

#### More information

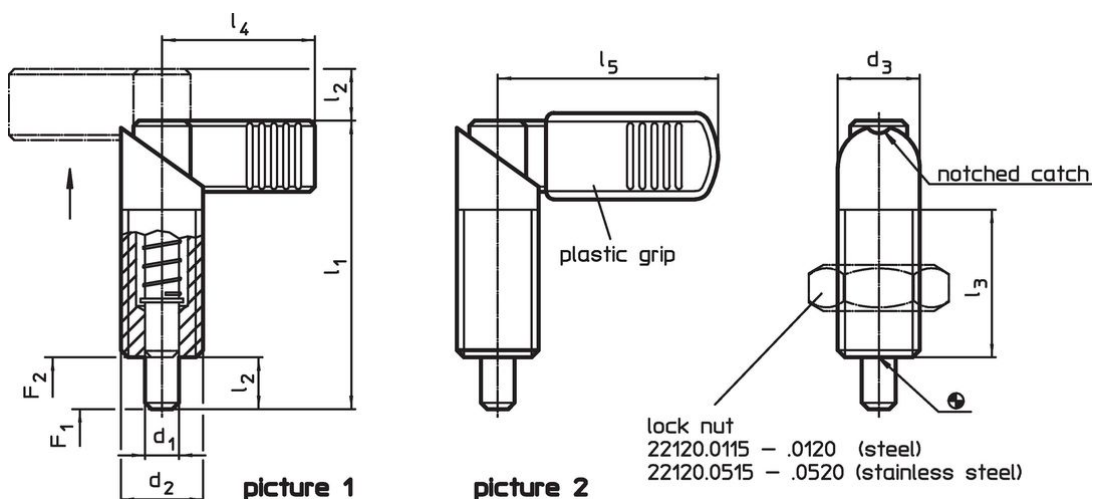
#### Notes

Lock nuts have to be purchased separately.

#### Further products

- Mounting Blocks, for index bolts and index plungers, die-cast
- Locating Bushings, for index bolts and index plungers
- Mounting Blocks, for index bolts and index plungers

### Drawing





### Order information

| Dimensions   |                |                |                |                |                |                | Spring load <sup>1)</sup> |                | Temperature |      | Weight [g] | Art. No.   |  |
|--|----------------|----------------|----------------|----------------|----------------|----------------|---------------------------|----------------|-------------|------|------------|------------|--|
| d <sub>1</sub>   | d <sub>2</sub> | d <sub>3</sub> | l <sub>1</sub> | l <sub>2</sub> | l <sub>3</sub> | l <sub>5</sub> | F <sub>1</sub>            | F <sub>2</sub> | min.        | max. |            |            |  |
| -0.02  |                |                |                |                |                |                | ~                         | ~              |             |      |            |            |  |
| -0.04  |                |                |                |                |                |                |                           |                |             |      |            |            |  |
| [mm]   |                |                |                |                |                |                |                           |                |             |      |            |            |  |
| [N]  |                |                |                |                |                |                |                           |                |             |      |            |            |  |
| [°C]   |                |                |                |                |                |                |                           |                |             |      |            |            |  |
| with plastic cover for grip – picture 2, Stainless steel |                |                |                |                |                |                |                           |                |             |      |            |            |  |
| 6  | M12 x 1,5      | 12             | 47             | 8              | 26             | 32             | 8.5                       | 19.5           | -30         | 80   | 30         | 22120.0364 |  |

<sup>1)</sup> statistical average value

Accessories

|   | Dimensions<br>d <sub>2</sub><br>[mm] | Wrench size<br>[mm] | <br>[g] | Art. No.   |
|---|--------------------------------------|---------------------|--|------------|
| <b>Lock nuts ISO 8675 (DIN 439), Stainless steel</b>                              |                                      |                     |  |            |
|  | M12 x 1,5                            | 18                  | 7.5  | 22120.0516 |

Compliance

**RoHS compliant**

Compliant according to Directive 2011/65/EU and Directive 2015/863.

**Does not contain SVHC substances**

No SVHC substances with more than 0.1% w/w contained - SVHC list [REACH] as of 23.01.2024.

**Does not contain Proposition 65 substances**

No Proposition 65 substances included.  
<https://www.P65Warnings.ca.gov/>

**Free from Conflict Minerals**

This product does not contain any substances designated as "conflict minerals" such as tantalum, tin, gold or tungsten from the Democratic Republic of Congo or adjacent countries.