

## Index Plungers • for thin-walled pieces

22120.0288



### Product Description

Index plungers with throughgoing bore for thin-walled pieces.

#### Material

##### Body

- Steel, zinc-plated by galvanization

##### Locking pin

- Stainless steel 1.4305, nickel-plated

##### Knob

- Thermoplastic PA 6, black, dull

#### Assembly

By means of a fastening collet, the index plungers can be mounted into pieces having a wall thickness of 1-5 mm.

#### Operation

When using the self-locking type, the knob is pulled-out, turned 90° and secured by a notched catch. Depending on the clamping length, the bolt may overhang.

#### More information

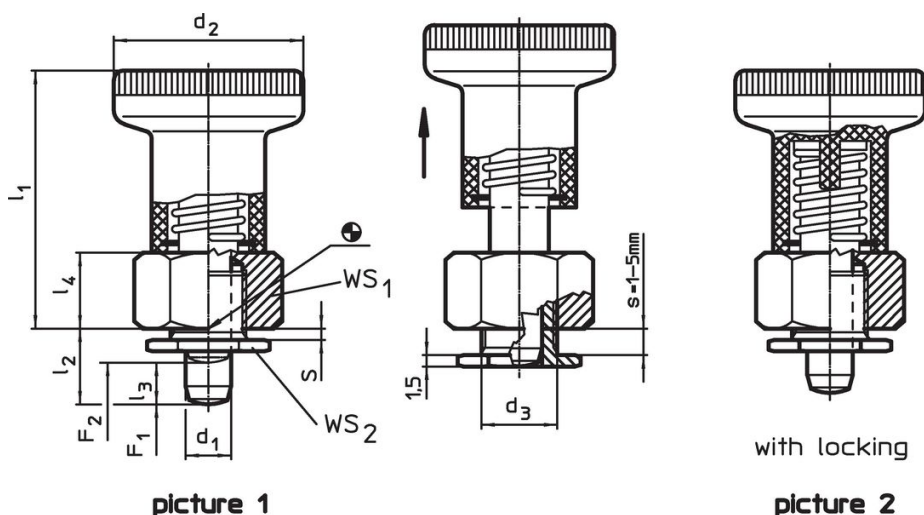
#### Notes

Knob not removable.

#### Further products

- Locating Bushings, for index bolts and index plungers

### Drawing





### Order information

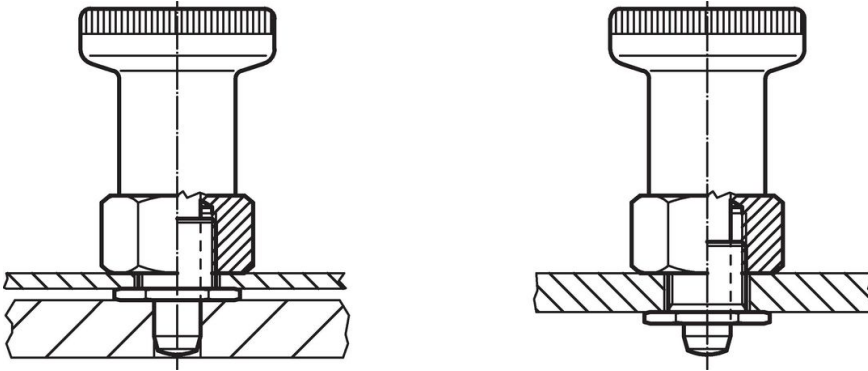
Dimensions								WS <sub>1</sub>	WS <sub>2</sub>	Spring load <sup>1)</sup>		Temperature		Weight	Art. No.
d <sub>1</sub>	l <sub>2</sub>	d <sub>2</sub>	d <sub>3</sub>	l <sub>1</sub>	l <sub>3</sub>	l <sub>4</sub>	s			F <sub>1</sub>	F <sub>2</sub>	min.	max.		
-0.02										~	~				
-0.05										[N]	[N]	[°C]	[°C]	[g]	
<b>with locking – picture 2</b>															
8	10	31	12	40	7.5	12	1 – 5	19	16	15.5	28	-30	80	61	22120.0288

<sup>1)</sup> statistical average value

Accessories

	 [g]	Art. No.
Ring spanner, flat		
	26	22120.0299

Application example



Compliance

**RoHS compliant**

Contains lead - compliant according to exceptions 6a / 6b / 6c.

**Contains SVHC substances >0,1% w/w**

Contains lead - SVHC list [REACH] as of 23.01.2024.

**Contains Proposition 65 substances**



Lead can cause cancer and reproductive harm from exposure  
<https://www.P65Warnings.ca.gov/>

**Free from Conflict Minerals**

This product does not contain any substances designated as "conflict minerals" such as tantalum, tin, gold or tungsten from the Democratic Republic of Congo or adjacent countries.