

Index Plungers Compact • with hexagon collar

22110.0256



Product Description

Index plungers are used for indexing bores.
Types with / without lock have the same building height.
Due to a thread recess the index plungers can be completely screwed in.

Material

Body

- Stainless steel 1.4305

Locking pin

- Stainless steel 1.4305, nickel-plated

Assembly

The screw length can be adapted by distance collars for index plungers (EH 22120.).

More information

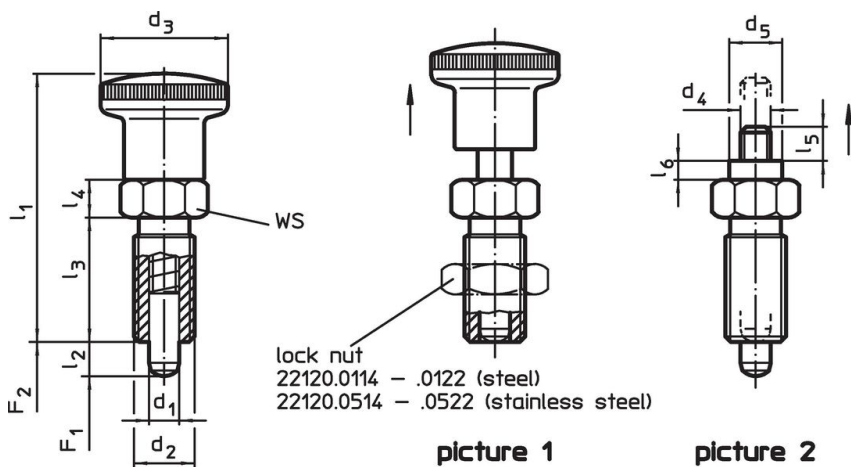
Notes

Knob not removable.
Lock nuts have to be purchased separately.

Further products

- Mounting Blocks, for index bolts and index plungers, die-cast
- Locating Bushings, for index bolts and index plungers
- Distance Collars, for index plungers

Drawing




Order information

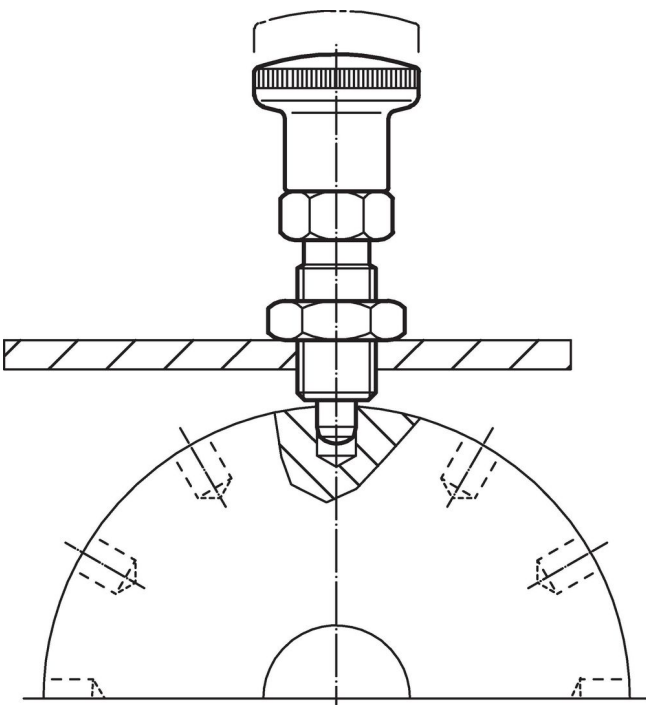
Dimensions										WS	Spring load ¹⁾		max.	[g]	Art. No.
d ₁	d ₂	l ₂ min.	d ₄	d ₅	l ₃	l ₄	l ₅	l ₆	F ₁ ~		F ₂ ~				
[mm]										[mm]	[N]	[°C]			
without knob – picture 2, Stainless steel															
12	M20 x 1,5	15	M6	12	33	10	8.5	4	22	11.5	40	250	111	22110.0256	

¹⁾ statistical average value

Accessories

	Dimensions		Wrench size	[g]	Art. No.
	d ₂	[mm]			
Lock nuts ISO 8675 (DIN 439), Stainless steel					
	M20 x 1,5		30	32.0	22120.0520

Application example



Compliance

RoHS compliant

Compliant according to Directive 2011/65/EU and Directive 2015/863.

Does not contain SVHC substances

No SVHC substances with more than 0.1% w/w contained - SVHC list [REACH] as of 27.06.2024.

Does not contain Proposition 65 substances

No Proposition 65 substances included.

<https://www.P65Warnings.ca.gov/>

Free from Conflict Minerals

This product does not contain any substances designated as "conflict minerals" such as tantalum, tin, gold or tungsten from the Democratic Republic of Congo or adjacent countries.