

Spring Plungers • double-sided  
22090.0070



**Product Description**

To be used for locating and securing, as well as electric connection.

**Material**

**Body**

- Brass

**Ball**

- Stainless steel, hardened

**Spring**

- Stainless steel

**More information**

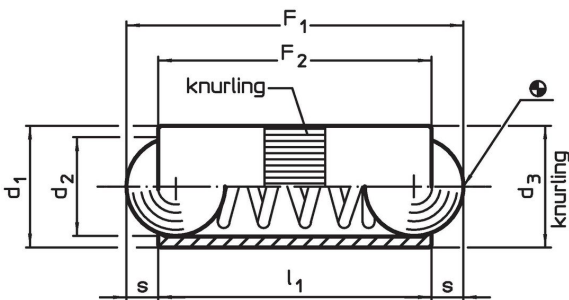
**Notes**

Special types on request.  
Spring plungers are specially tested for spring range and forces.

**References**

Calculation of indexing resistance, please refer to appendix - Technical Data -

**Drawing**

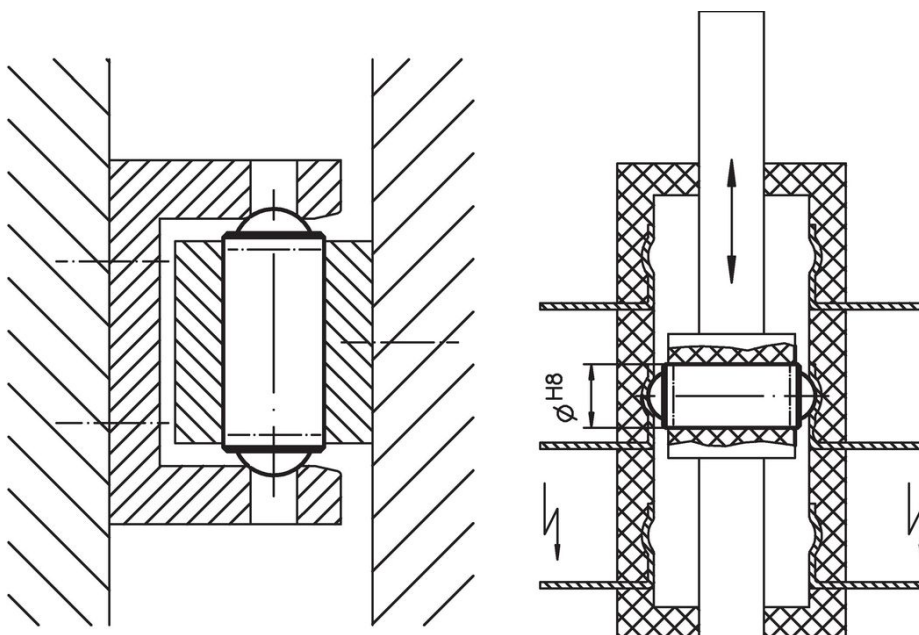


**Order information**

Dimensions				Stroke s	Spring load <sup>1)</sup>		max. [°C]	Location hole H8 [mm]	[g]	Art. No.
d <sub>1</sub>	d <sub>2</sub>	d <sub>3</sub>	l <sub>1</sub>		F <sub>1</sub> ~	F <sub>2</sub> ~				
[mm]				[mm]	[N]					
7	6	7.03	14	2	4	12	250	7	3	22090.0070

<sup>1)</sup> statistical average value

**Application example**



## Compliance

### RoHS compliant

Contains lead - compliant according to exceptions 6a / 6b / 6c.

### Contains SVHC substances >0,1% w/w

Contains lead - SVHC list [REACH] as of 23.01.2024.

### Contains Proposition 65 substances



Lead can cause cancer and reproductive harm from exposure  
<https://www.P65Warnings.ca.gov/>

### Free from Conflict Minerals

This product does not contain any substances designated as "conflict minerals" such as tantalum, tin, gold or tungsten from the Democratic Republic of Congo or adjacent countries.