

Spring Plungers · with internal hexagon

22060.0210



Product Description

Spring plungers can be used for locating or for applying pressure, as a detent or for ejection.

Material

Pin

- Thermoplastic POM, white

Body

- Free cutting steel, blackened

Spring

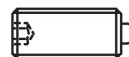
- Stainless steel

Assembly

Spring plungers can be mounted and removed by means of the slot or internal hexagon. Please use a special assembly tool for mounting with a slot (pin side).

Characteristic

Standard spring load: no marking



Standard spring load



Heavy spring load

More information

Notes

Special types on request.
Spring plungers are specially tested for spring range and forces.

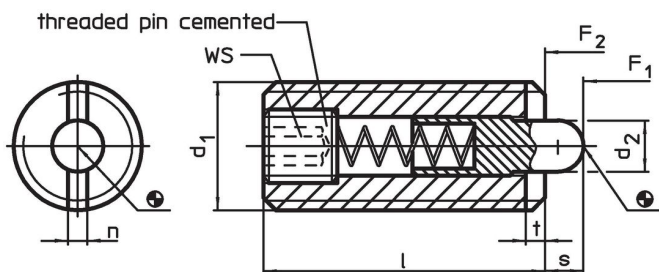
References

Thread lock on request, please refer to appendix - Technical Data -

Further products

- Spring Plungers, with internal hexagon and seal
- Holders, for spring plungers

Drawing

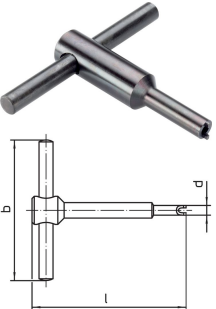


Order information

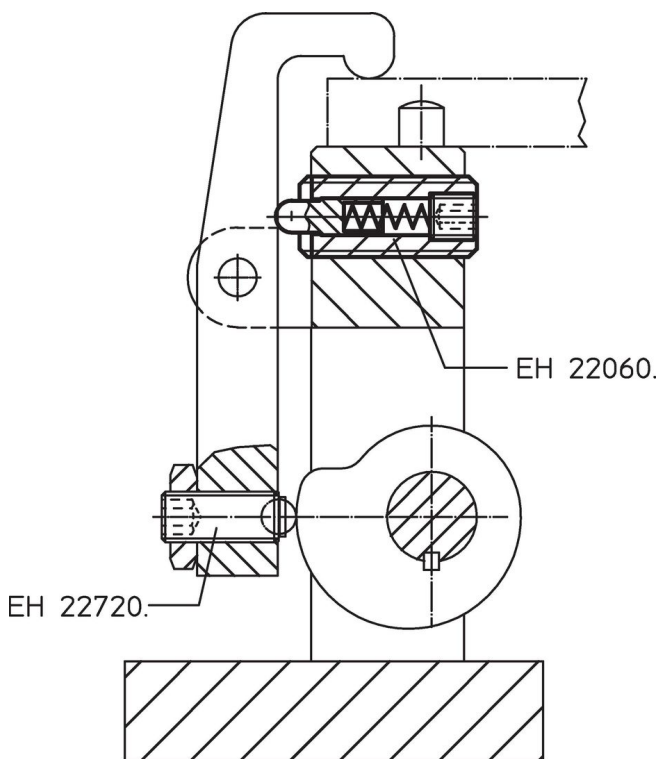
Dimensions					WS	Stroke s	Spring load ¹⁾		Temperature		Weight [g]	Art. No.
d ₁	d ₂	l	n	t			F ₁ ~	F ₂ ~	min.	max.		
[mm]					[mm]	[mm]	[N]		[°C]			
free cutting steel, pin from thermoplastic, standard spring load												
M10	4	22	1.5	1.4	3	3	10	38	-30	50	8.1	22060.0210

¹⁾ statistical average value

Accessories

	Dimensions				[g]	Art. No.
	d ₁	b	d	l		
[mm]						
Assembly Tool for mounting via slot (pin sided)						
	M10	80	8.00	80	66	22060.0910

Application example



Compliance

RoHS compliant

Contains lead - compliant according to exceptions 6a / 6b / 6c.

Contains SVHC substances >0,1% w/w

Contains lead - SVHC list [REACH] as of 27.06.2024.

Contains Proposition 65 substances



Lead can cause cancer and reproductive harm from exposure
<https://www.P65Warnings.ca.gov/>

Free from Conflict Minerals

This product does not contain any substances designated as "conflict minerals" such as tantalum, tin, gold or tungsten from the Democratic Republic of Congo or adjacent countries.