

Spring Plungers · with internal hexagon and seal

22060.0152



Product Description

Spring plungers can be used for locating or for applying pressure, as a detent or for ejection. By means of the seal, liquid cannot penetrate into the spring plunger.

Material

Pin

- Free cutting steel, hardened, blackened

Seal

- NBR

Body

- Free cutting steel, blackened

Spring

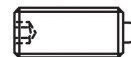
- Stainless steel

Assembly

Spring plungers can be mounted and removed by means of the slot or internal hexagon. Please use a special assembly tool for mounting with a slot (pin side).

Characteristic

Heavy spring load: marked with two lines



Standard spring load



Heavy spring load

More information

Notes

Special types on request.
Spring plungers are specially tested for spring range and forces.

References

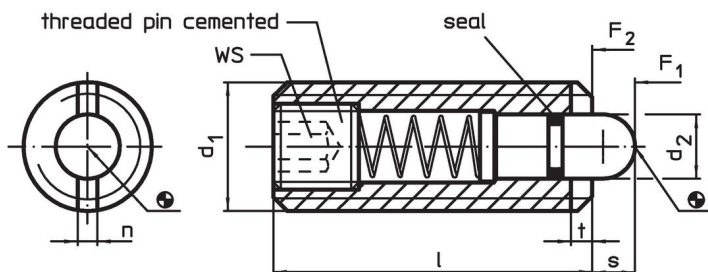
Compared to EH 22060., i.e. "no seal", there are deviations in dimension l, spring load and temperature range.

Thread lock on request, please refer to appendix - Technical Data -

Further products

- Spring Plungers, with internal hexagon

Drawing

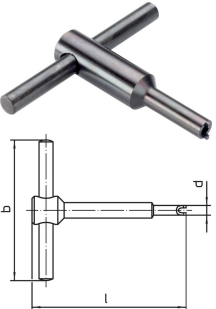


Order information

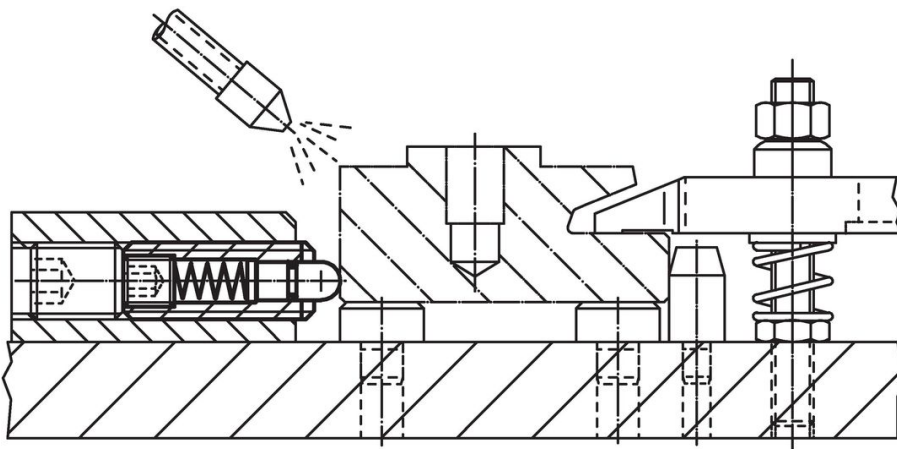
| Dimensions | | | | | WS | Stroke s | Spring load ¹⁾ | | min. | max. | g | Art. No. |
|---|----------------|----|-----|---|------|-------------|---------------------------|---------------------|------|------|-----|------------|
| d ₁ | d ₂ | l | n | t | | | F ₁ ~ | F ₂ ~ | | | | |
| [mm] | | | | | [mm] | [mm] | [N] | | [°C] | | [g] | |
| free cutting steel, reinforced spring load | | | | | | | | | | | | |
| M12 | 6 | 35 | 2.7 | 2 | 4 | 4 | 40 | 80 | -30 | 80 | 20 | 22060.0152 |

¹⁾ statistical average value

Accessories

| | Dimensions | | | | [g] | Art. No. |
|---|----------------|----|------|----|-----|------------|
| | d ₁ | b | d | l | | |
| [mm] | | | | | | |
| Assembly Tool for mounting via slot (pin sided) | | | | | | |
|  | M12 | 80 | 9.80 | 80 | 72 | 22060.0912 |

Application example



Compliance

RoHS compliant

Contains lead - compliant according to exceptions 6a / 6b / 6c.

Contains SVHC substances >0,1% w/w

Contains lead - SVHC list [REACH] as of 23.01.2024.

Contains Proposition 65 substances



Lead can cause cancer and reproductive harm from exposure
<https://www.P65Warnings.ca.gov/>

Free from Conflict Minerals

This product does not contain any substances designated as "conflict minerals" such as tantalum, tin, gold or tungsten from the Democratic Republic of Congo or adjacent countries.