

Clamping Cubes • semi-finished

1908.610



Product Description

Material

- Grey cast iron GG

More information

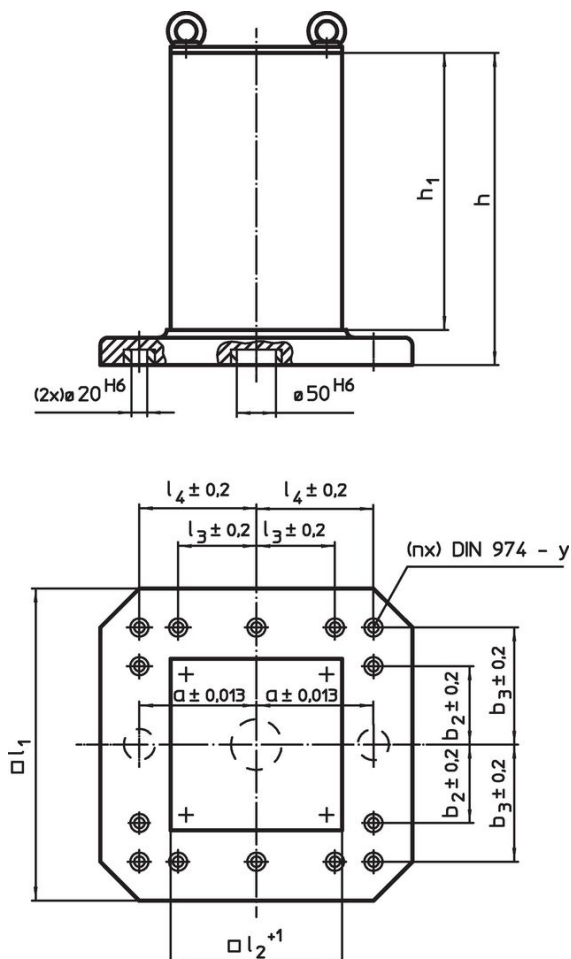
Notes

Special plates on request.

Further products

- Threaded Lifting Pins, self-locking

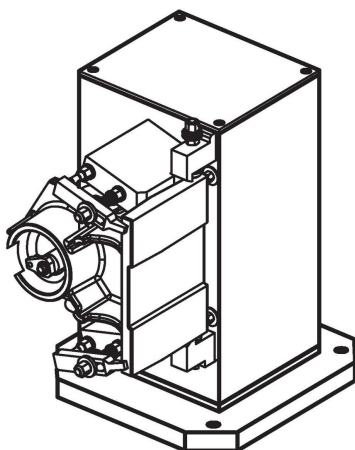
Drawing



Order information

l ₁	l ₂ +1	h ₁	h	Dimensions					y	For screws	Number of fastening holes n	[kg]	Art. No.
				a ±0.013 [mm]	b ₂ ±0.2	b ₃ ±0.2	l ₃ ±0.2	l ₄ ±0.2					
630	451	640	700	200	200	300	200	300	16	M16	8	495	1908.610

Application example



Compliance

RoHS compliant

Contains lead - compliant according to exceptions 6a / 6b / 6c.

Contains SVHC substances >0,1% w/w

Contains lead - SVHC list [REACH] as of 23.01.2024.

Contains Proposition 65 substances



Lead can cause cancer and reproductive harm from exposure
<https://www.P65Warnings.ca.gov/>

Free from Conflict Minerals

This product does not contain any substances designated as "conflict minerals" such as tantalum, tin, gold or tungsten from the Democratic Republic of Congo or adjacent countries.